

# Pro. acces. - special equipment

---

Model:  
Miscellaneous

## Accessories

Part List English

13-05-2012

# Table of Contents

Pro. acces. - special equipment

<b>WSB system</b>	<b>3</b>
<b>White washing equipment</b>	<b>5</b>
<b>Water suction system</b>	<b>7</b>
<b>Tire kit, CONTRACTOR</b>	<b>9</b>
<b>Throttle lever 03KB</b>	<b>11</b>
<b>Throttle lever, CONTRACTOR DIESEL</b>	<b>13</b>
<b>Suction hose</b>	<b>15</b>
<b>Pipe cleaning with DN 4 equipment</b>	<b>17</b>
<b>Hours counter</b>	<b>19</b>
<b>Frost protection kit 03VS</b>	<b>21</b>
<b>Frost protection adapter 40C/H</b>	<b>23</b>
<b>Frost protection - ANTI FROST</b>	<b>25</b>
<b>Drain cleaner</b>	<b>28</b>
<b>Pressure compensator</b>	<b>30</b>
<b>Chemical trolley, injector &amp; hose</b>	<b>32</b>
<b>Chemical trolley</b>	<b>34</b>
<b>Ceilingboom Z</b>	<b>36</b>
<b>Ceilingboom W</b>	<b>38</b>
<b>Burner override mode 40HA</b>	<b>40</b>
<b>Automatic start/stop A2V</b>	<b>42</b>
<b>Automatic start/stop A2K</b>	<b>44</b>
<b>Automatic start/stop 40H</b>	<b>46</b>
<b>Automatic s/s 40C, labels &amp; flow switch</b>	<b>48</b>
<b>Automatic s/s 40C, el-box</b>	<b>50</b>
<b>Automatic start/stop 03V</b>	<b>52</b>
<b>Automatic start/stop 03K</b>	<b>54</b>
<b>Auto. start/stop, Flow switch A2V, 02V, 03V</b>	<b>56</b>
<b>Automatic start/stop 02V</b>	<b>58</b>



# WSB system

Pro. acces. - special equipment

13-05-2012

Part List ID  
WSBPROU2

4

Pos	Part no.	Qty	Description	
1		1	NOTE COMMENT	No longer available use 6401330
2	1805217	1	SCREW M4X20 SN213307 A2 BN2845	
3	2759	1	NUT	
4	1805209	1	SHEET METAL SCREW	
5	1118124	1	WEARING NOZZLE SET	
6	3000460	1	O-RING (1103710)	
8	6400745	1	PRE-NOZZLE VSB	
9	1803972	1	SEGER CIRCLIP	
A	301112493	1	WSB KIT INCL. PICK UP HOSE	
10	106402600	1	TUBE D13X1.5MM	
11	6401329	1	SUCTION PIPE	
13	5206859	1	HOSE PVC 13/16 BLACK	* See NOTE
14	1609325	1	Nipple f or spray lance RF	
15	6401330	1	NOZZLE HOUSING W. NOZZLE	

\* NOTE: Lengths in metres - Please indicate lenth



# White washing equipment

Pro. acces. - special equipment

13-05-2012

Part List ID  
WH11EWASH02

6

Pos	Part no.	Qty	Description
1	6400139	1	LIME SYSTEM COMP. <span style="float: right;">Nozzle 05</span>
1	6400140	1	WHITEWASHING EQUIPMENT 06 <span style="float: right;">Nozzle 065</span>
2	6401307	1	T-CONNECTION W. 1505 NOZZLE
2	6401308	1	T-CONNECTION W.15065 NOZZLE
3	106402075	1	ERGO 3000 QUICK COUPLING F3/8in
4	2800340	1	NOZZLE 1505
4	2800357	1	NOZZLE 15055
4	2800589	1	NOZZLE 15065 (1105450)
5	1600493	1	QUICK COUPLING NIPPLE
6	1801075	1	TIGHTENING GASKET
7	3001435	1	RUBBER SEAL
8	6401304	1	INJECTOR COMP.
9	1609325	1	Nipple for spray lance RF
10	6400664	1	CONNECTION PEACE
11	1119330	1	KIT INJECTOR NOZZLE
14	6401311	1	SUCTION FILTER COMP.
15	6400714	1	NET
20	5206461	1	PVC HOSE
21	6401320	1	NOZZLE COMP. W. 2512
22	6401321	1	NOZZLE COMP. W. 6515
25	106408120	1	LANCE WITHOUT NOZZLE
26	1118009	1	K.E.W. REP.SET F.LANCE
27	1601962	1	QUICK COUPLING (1101840)
28	6400667	1	SOCKET
29	101814698	12	SCREW
30	102406665	1	HOSE 5/8 INCH X 2.6M

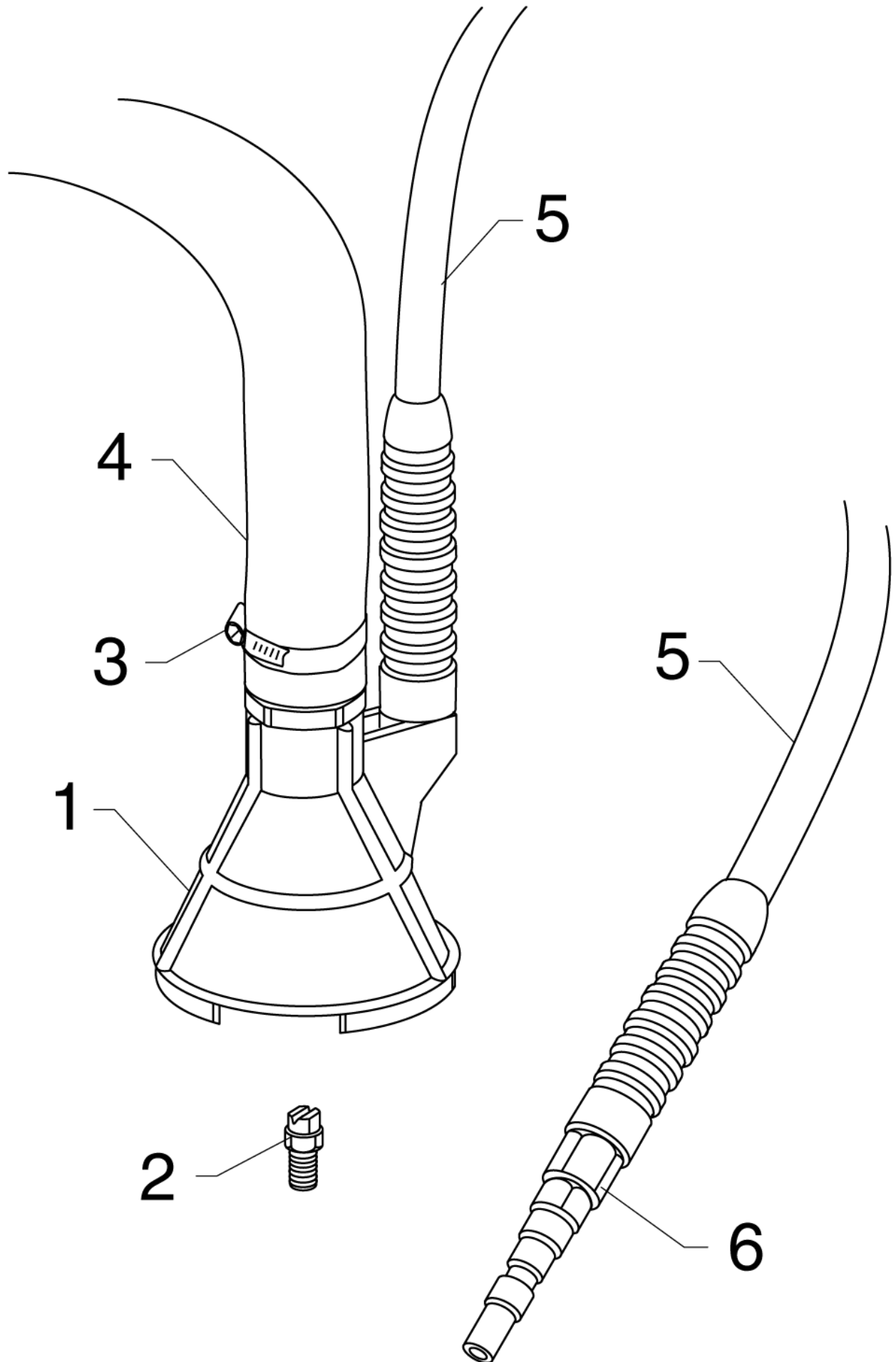
# Water suction system

Pro. acces. - special equipment

13-05-2012

Part List ID  
WATERSUCTION02

7



# Water suction system

Pro. acces. - special equipment

13-05-2012

Part List ID  
WATERSUCTION02

8

Pos	Part no.	Qty	Description
-	6402017	1	WATER SUCTION SYSTEM 065 NOZZE
-	6402018	1	WATER SUCTION SYSTEM 05 N OZZLE
1	1609321	1	HOSE SOCKET FOR WATER SUCTION. MACHINED
2	2800514	1	NOZZLE 0055
2	2802725	1	NOZZLE HB1/4U-SS0065
3	1802487	1	HOSE CLIP 33-57MM FZB
4	5226296	1	FLEX HOSE 38MM WATER SUCTION * SEE NOTE
5	1402924	1	HOSE STEAM 2M
6	1609325	1	Nipple for spray lance RF

\* NOTE: PLEASE INDICATE LENGTHS IN METRES WHEN ORDERING

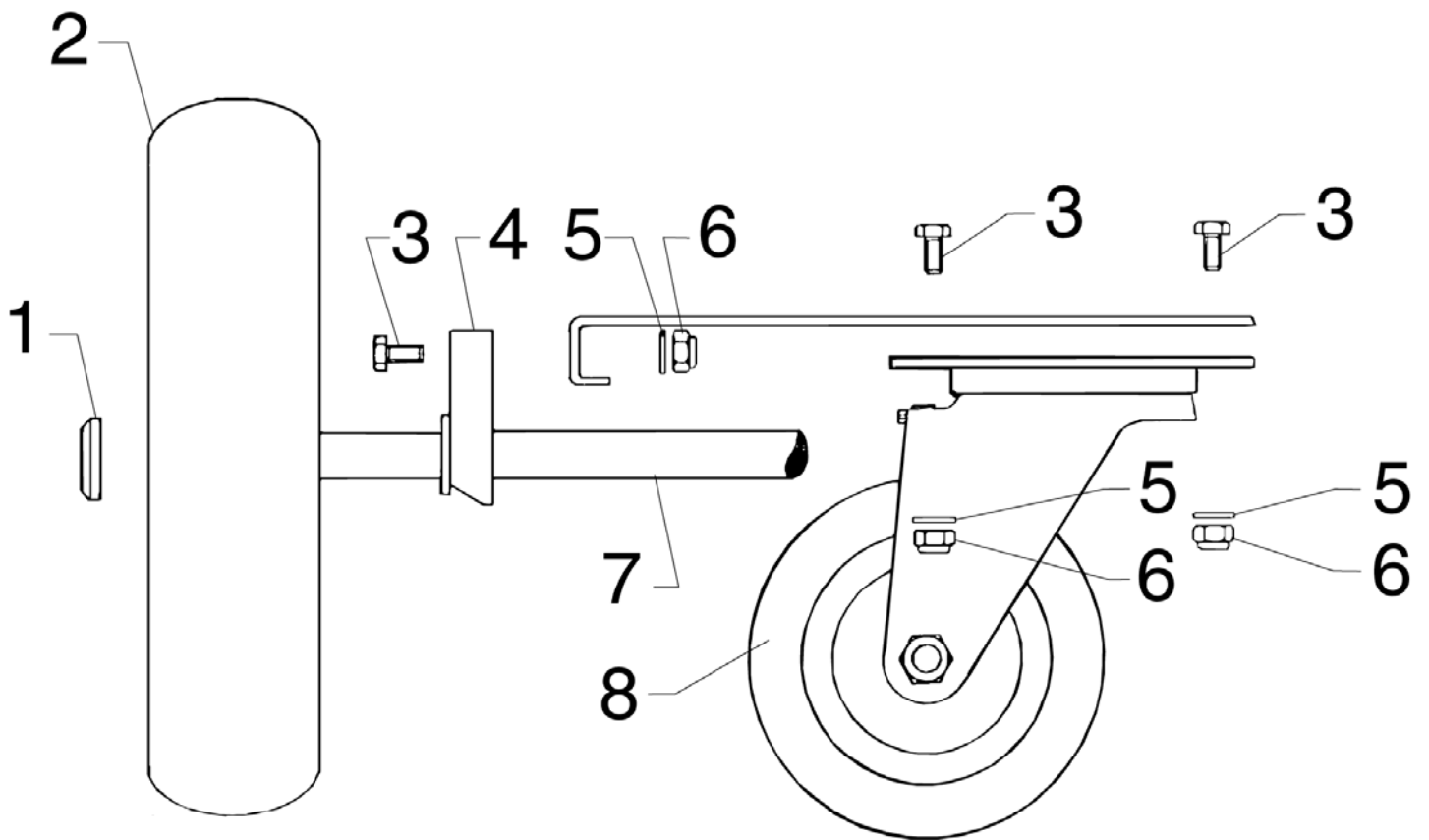
# Tire kit, CONTRACTOR

Pro. acces. - special equipment

13-05-2012

Part List ID  
TIREKIT02

9



# Tire kit, CONTRACTOR

Pro. acces. - special equipment

13-05-2012

Part List ID  
TIREKIT02

10

Pos	Part no.	Qty	Description
-	6401097	1	KEW CONTRACTOR WHEELS Tire kit, Contractor - not shown
1	2004265	2	HUB-CAP
2	2011021	2	PNEUMATIC TYRES
3	1800762	8	SCREW (4101200)
4	6228208	1	FITTING FOR WHEEL
5	1800317	8	WASHER (1100410.4101660)
6	1801257	8	NUT (1800210)
7	6228209	1	WHEEL AXLE
8	2013266	1	STEERABLE WHEEL Ø210

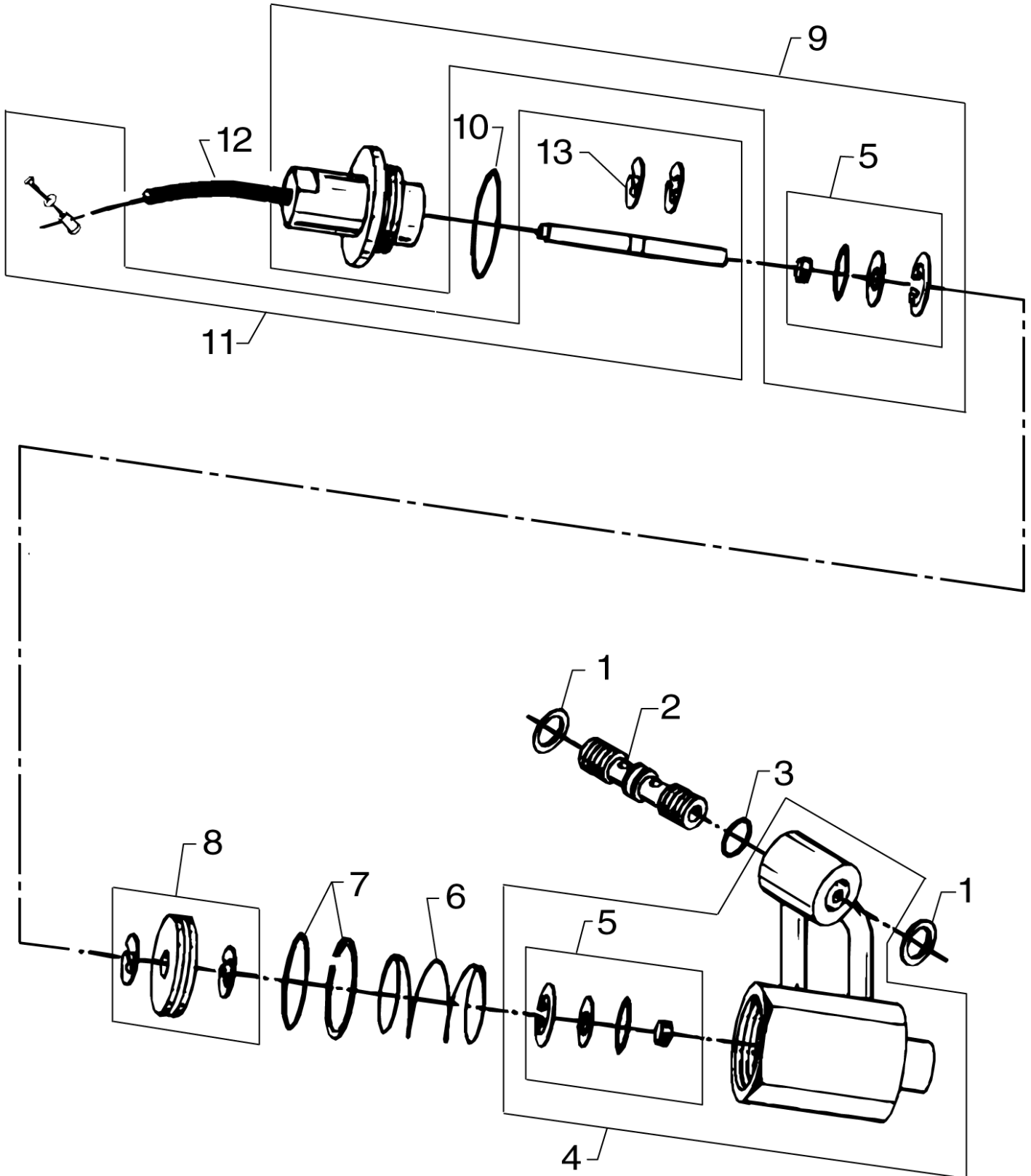
# Throttle lever 03KB

Pro. acces. - special equipment

13-05-2012

Part List ID  
THROTTLEKB02

11



# Throttle lever 03KB

Pro. acces. - special equipment

13-05-2012

Part List ID  
THRO11LEKB02

12

Pos	Part no.	Qty	Description
-	6162618	1	GAS REGULATOR COMPLETE
-	6169224	1	MOUNTING INSTRUC. THROTTLE LEV
1	1801075	2	TIGHTENING GASKET
2	6400712	1	SUPPORTING PIPE F. BANJOP IPE
3	3001682	1	O-RING use 16912
4	6162619	1	HOUSING
5	1119590	1	AUTO THROTTLE
6	6162627	1	RETURN SPRING
7	1119591	1	REP KIT O-RING & PISTON R
8	1119592	1	REP KIT PISTON 03KB
9	6162625	1	PLUG
10	3004242	1	O-RING
11	1119589	1	REP KIT CABLE 03KB
12	6162634	1	CABLE PROTECTOR
13	1814086	2	SEEFER CIRCLIP 5/7RA 4/41 1

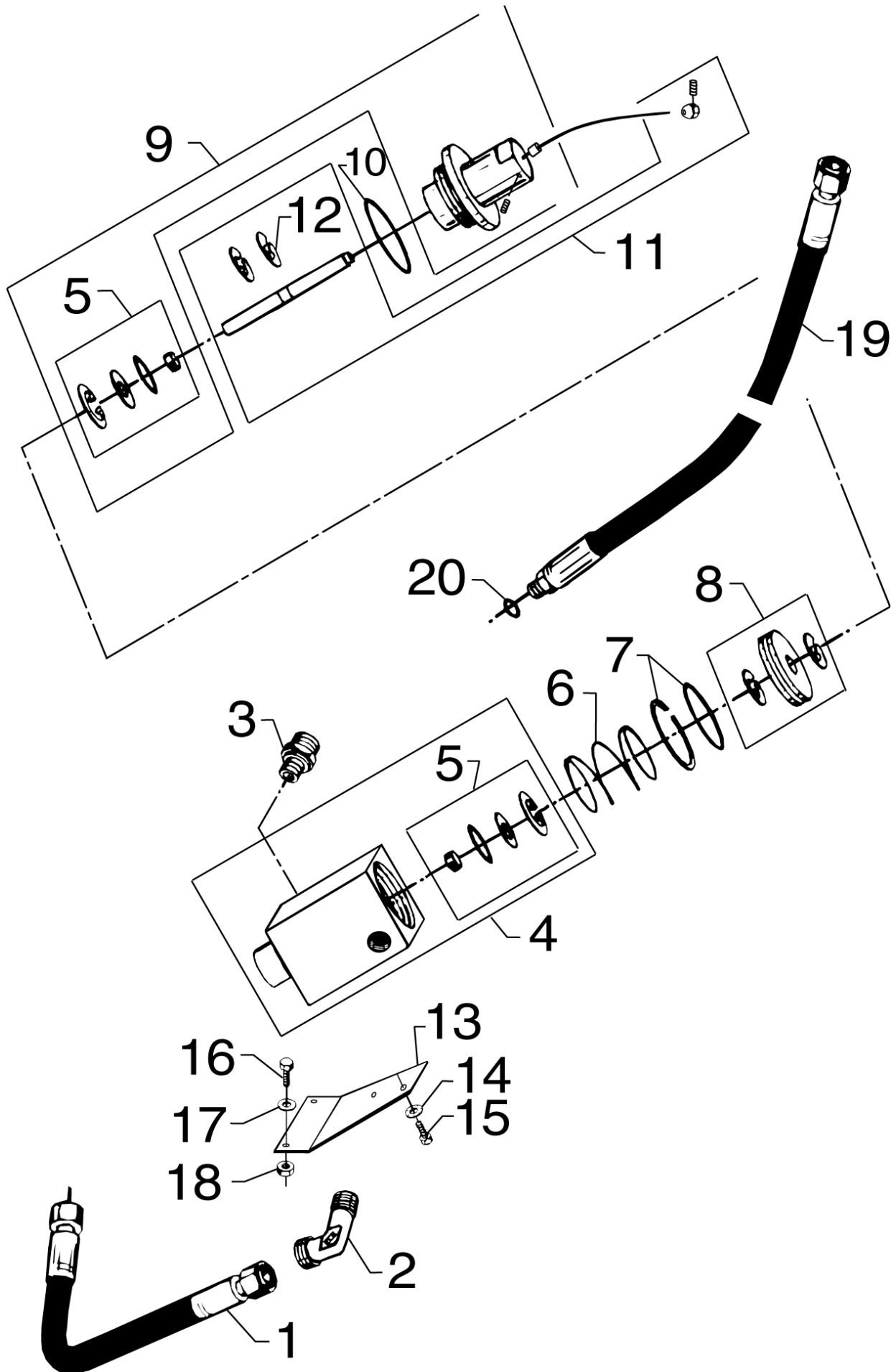
# Throttle lever, CONTRACTOR DIESEL

Pro. acces. - special equipment

13-05-2012

Part List ID  
THROTTLECD02

13



# Throttle lever, CONTRACTOR DIESEL

Pro. acces. - special equipment

13-05-2012

Part List ID  
THRO11LECD02

14

Pos	Part no.	Qty	Description
-	6402022	1	ACCELERATOR CONTROL
1	1405663	2	HIGH PRESSURE HOSE 150°C L=307
2	1603119	1	ELBOW
3	1601079	1	SCREWED CONNECTION
4	6404356	1	HOUSING COMP CONTRACTOR DIESEL
5	1119590	1	AUTO THROTTLE
6	6162627	1	RETURN SPRING
7	1119591	1	REP KIT O-RING & PISTON R
8	1119592	1	REP KIT PISTON 03KB
9	6404355	1	PLUG COMPLETE CONTRACTOR DIESEL
10	3004242	1	O-RING
11	1119400	1	REP KIT CABLE
12	1814086	2	SEEFER CIRCLIP 5/7RA 4/41 1
13	6228899	1	FITTING
14	1805191	2	SAFETY WASHER
15	1801638	2	SCREW
16	1813484	2	SCREW INSEX M 6X16
17	1800440	2	WASHER (1101320.1103440)
18	1805399	2	LOCK NUT WITH NYLON RING
19	1405664	1	HIGH PRESSURE HOSE 150°C
20	3000064	1	O-RING

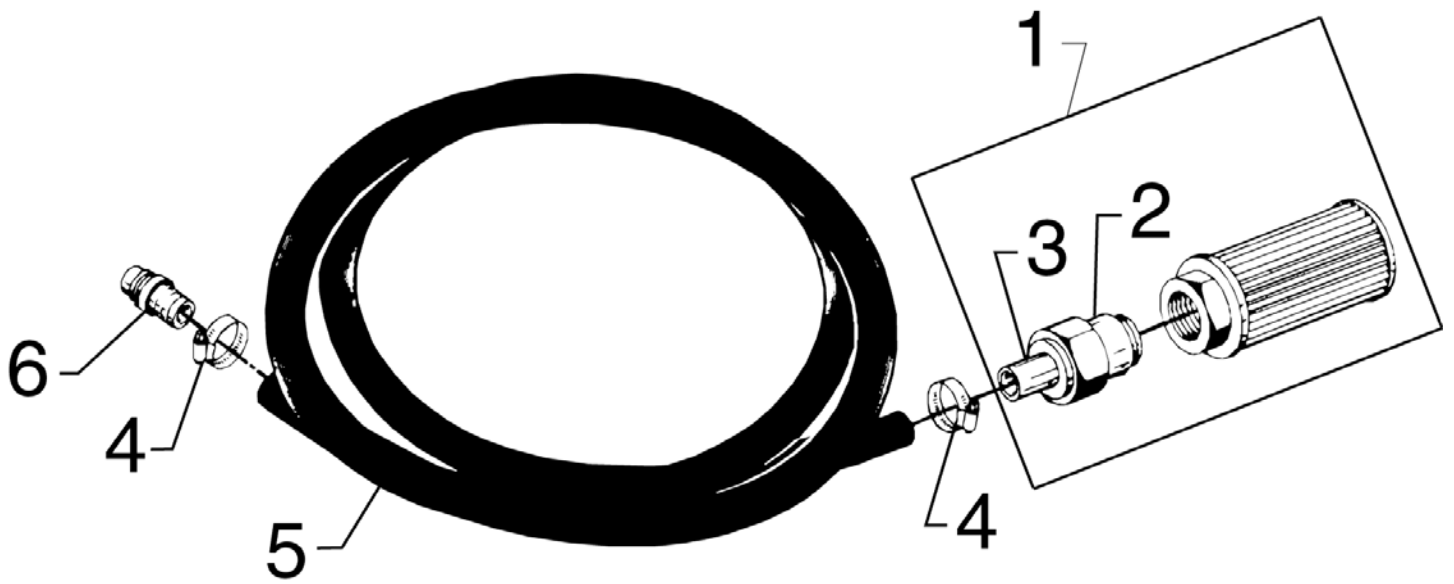
# Suction hose

Pro. acces. - special equipment

13-05-2012

Part List ID  
SUCTIONHOSE02

15



# Suction hose

Pro. acces. - special equipment

13-05-2012

Part List ID  
SUC1IONHOSE02

16

Pos	Part no.	Qty	Description
-		1	NOTE COMMENT Suction hose with screen
1	6400000	1	SUCTION FILTER
2	6400402	1	NON RET VALVE TROJAN
3	6400403	1	NON RET VALVE TROJAN
4	8298	2	JUBILEE CLIPS
5	5206404	1	HOSE
6	1600659	1	NIPPLE FOR QUICK COUPLING

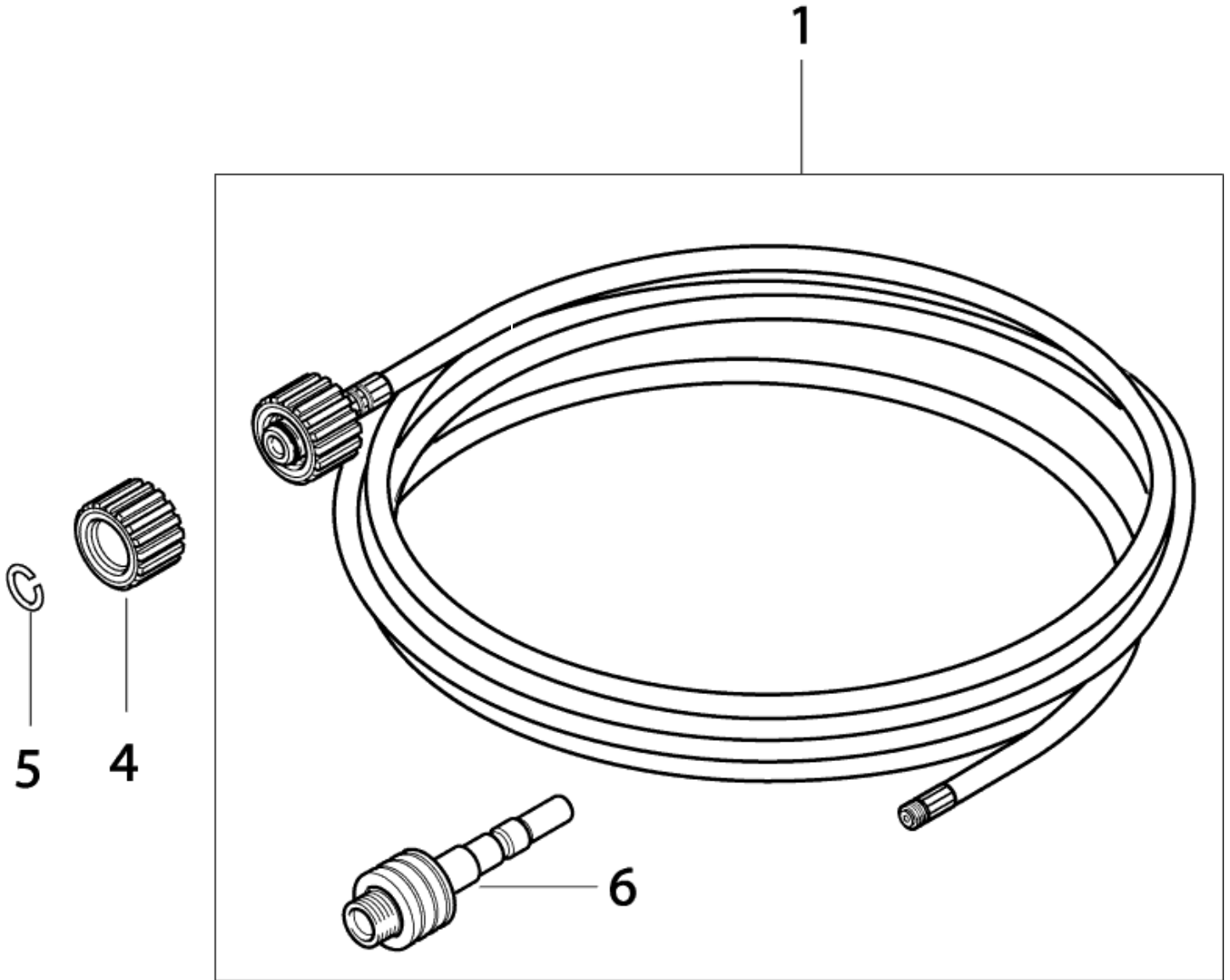
# Pipe cleaning with DN 4 equipment

Pro. acces. - special equipment

13-05-2012

Part List ID  
PIPECLEAN

17



2



3

# Pipe cleaning with DN 4 equipment

Pro. acces. - special equipment

13-05-2012

Part List ID  
PIPECLEAN

18

Pos	Part no.	Qty	Description
1	301002490	1	PIPE CLEANING HOSE Ø4X10M
1	301002491	1	PIPE CLEANING HOSE 20M
1	301002492	1	Pipe cleaning hose ?4x30m
2	46921	1	PIPE CLEANING NOZZLE
3	46918	1	ROTATING PIPE CLEANING NOZZLE
4	15420	1	SWIVEL NUT M21X1.5X22 QUI
5	1800192	1	CIRCLIP
6	66161	1	ADAPTOR KEW

# Hours counter

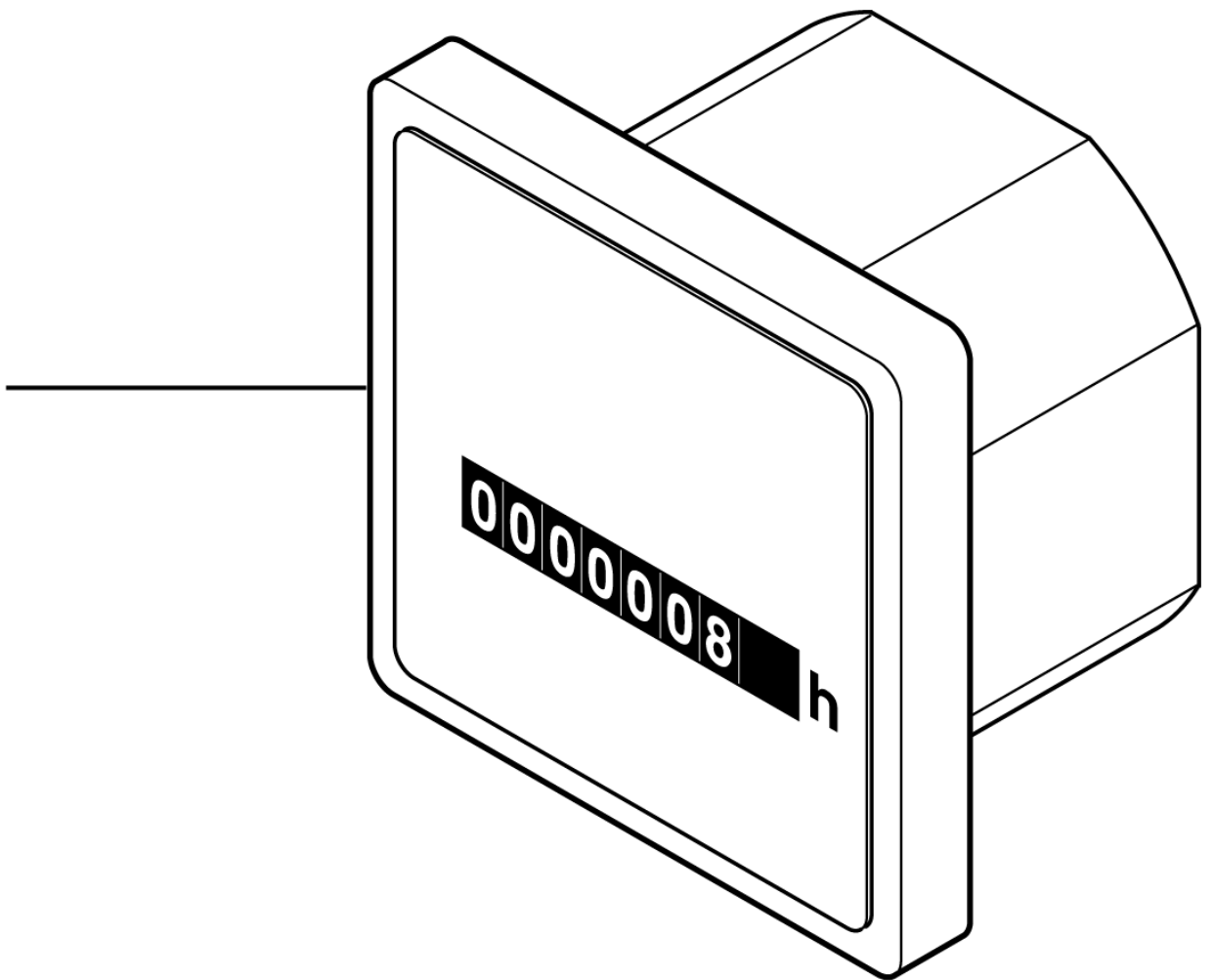
Pro. acces. - special equipment

13-05-2012

Part List ID  
HOURCONT

19

1



# Hours counter

Pro. acces. - special equipment

13-05-2012

Part List ID  
HOURCON I

20

Pos	Part no.	Qty	Description	
1	1479	1	WORKING HOUR METER 220V	POSEIDON
1	42628	1	COUNTER-H 24V50HZ 7ST.	NEPTUNE

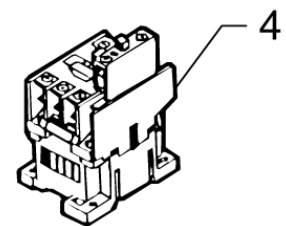
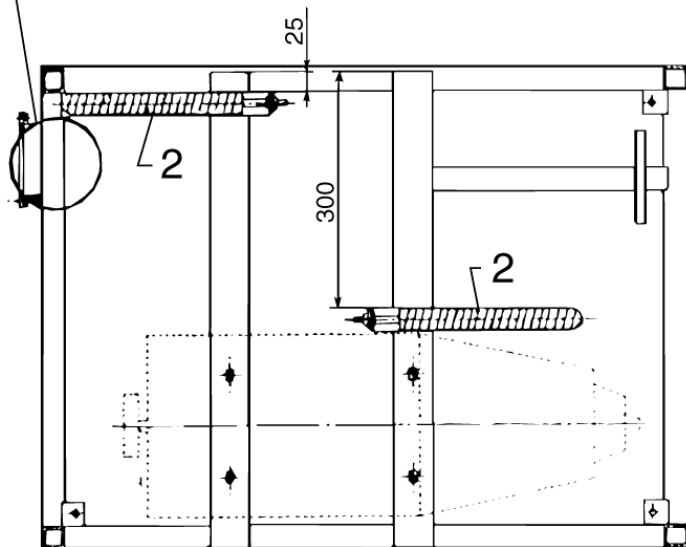
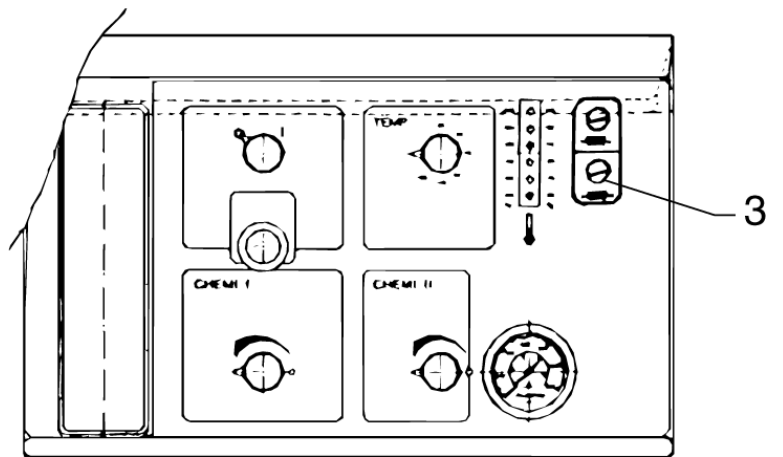
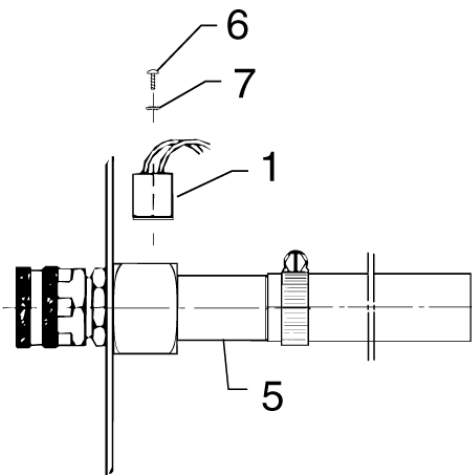
# Frost protection kit 03VS

Pro. acces. - special equipment

13-05-2012

Part List ID  
FROSTPROTECT02

21



# Frost protection kit 03VS

Pro. acces. - special equipment

13-05-2012

Part List ID  
FROSTPROTECT02

22

Pos	Part no.	Qty	Description
1	3807773	1	THEMOSTAT
3	3812385	2	FUSE
4	103822307	1	CONTACTOR CJX2-D18-B7 24V
4	3821738	4	AUXILIARY SWITCH
5	6221914	1	FILTER HOUSING, FROST PROTECT
6	1803139	2	SCREW
7	6400544	2	NIPPLE, PRESS.COMPENSATIO

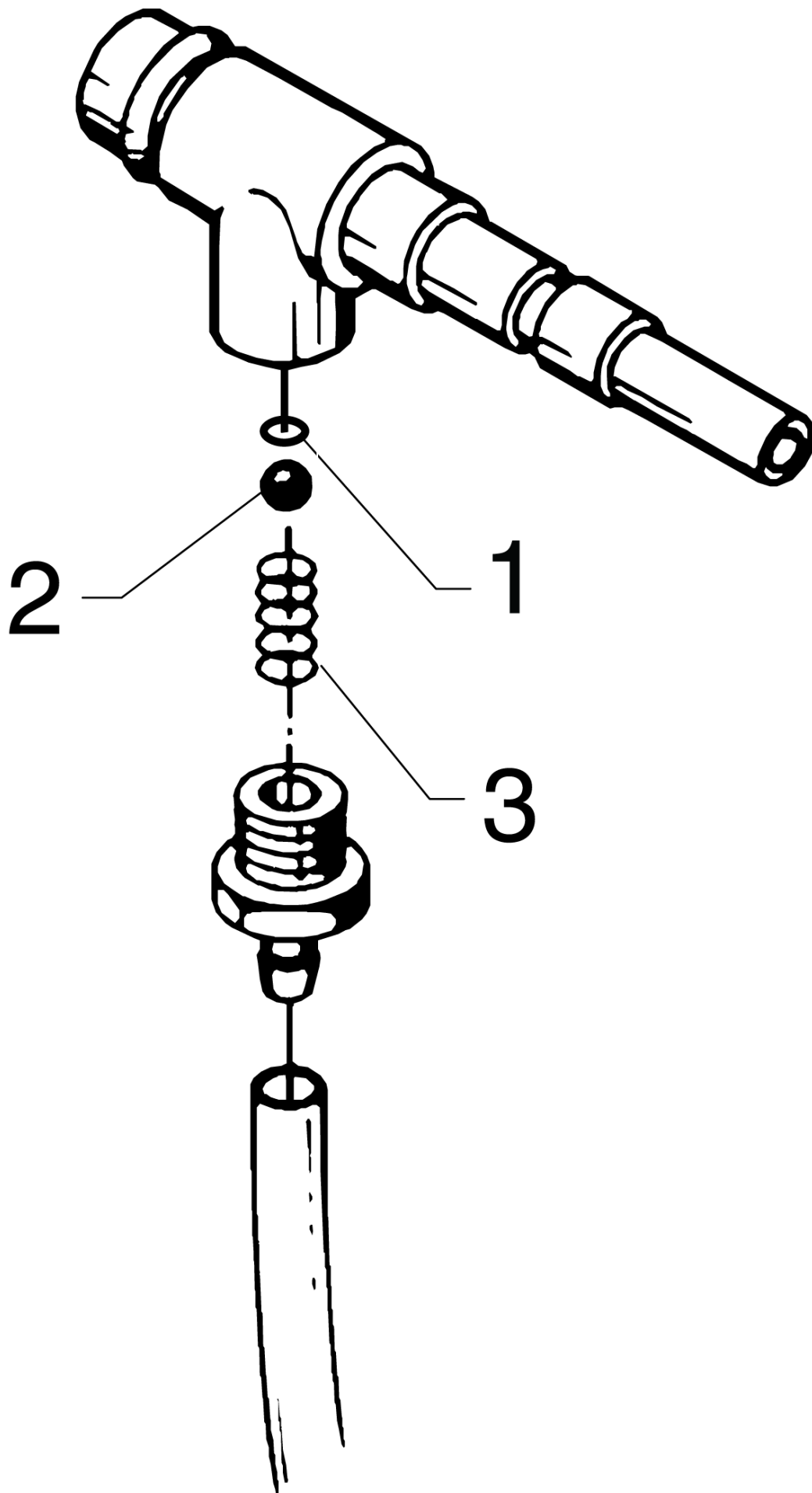
# Frost protection adapter 40C/H

Pro. acces. - special equipment

13-05-2012

Part List ID  
FROSTADAPTOR02

23



# Frost protection adapter 40C/H

Pro. acces. - special equipment

13-05-2012

Part List ID  
FROSTADAP10R02

24

Pos	Part no.	Qty	Description
-	6401099	1	DE FROST ADAPTOR
1	3000296	1	O-RING
2	3400447	2	BALL (1501320)
3	2602340	2	SPRING

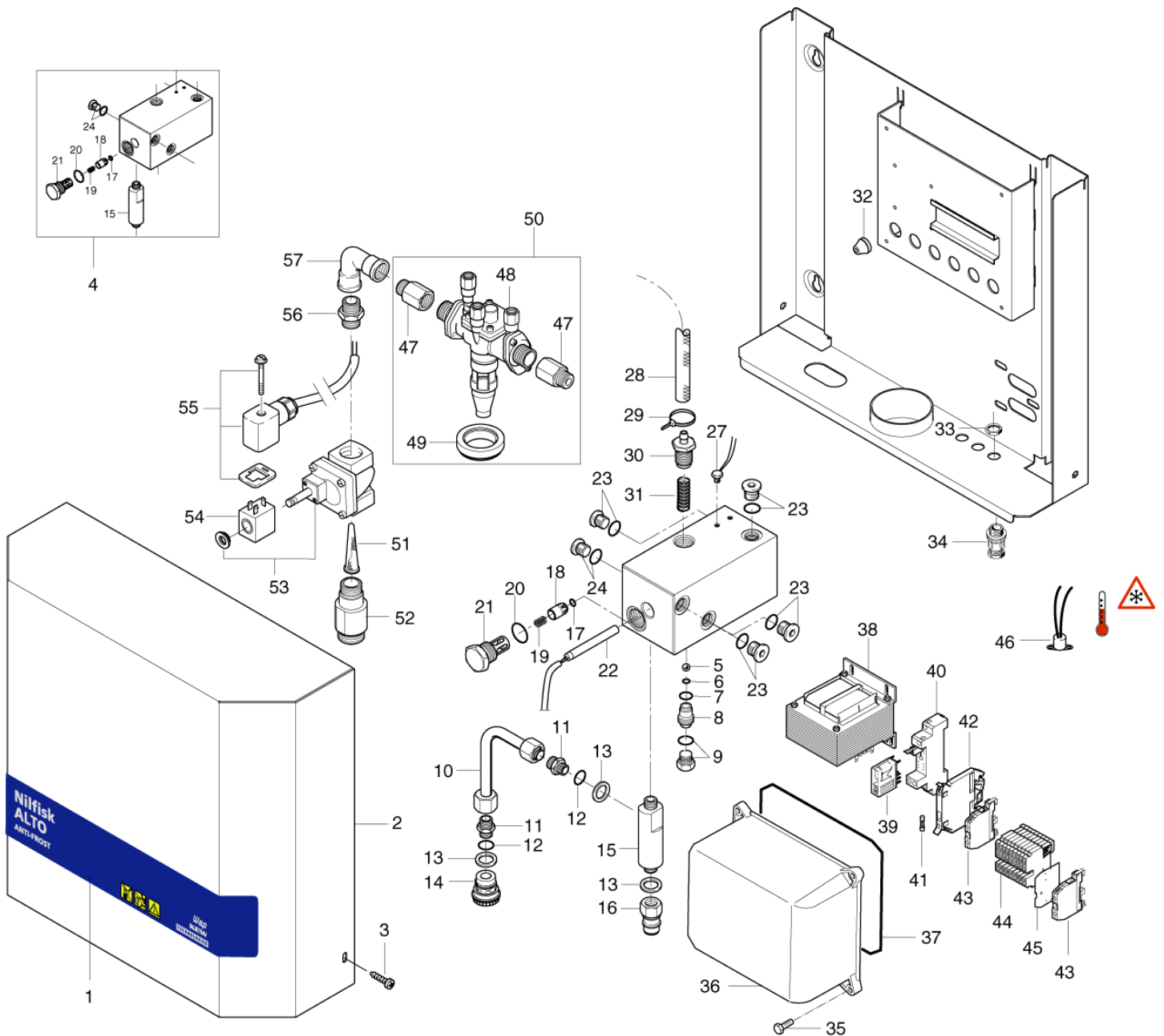
# Frost protection - ANTI FROST

Pro. acces. - special equipment

13-05-2012

Part List ID  
FROSTANT102

25



# Frost protection - ANTI FROST

Pro. acces. - special equipment

13-05-2012

Part List ID  
FRUSTAN1102

26

Pos	Part no.	Qty	Description
-	107370955	1	FROST PROTECTION (SOLAR E /GH)
1	107319130	1	FRONT LABEL ALTO ANTI-FROST
2	107313055	1	CABINET FOR FROST PROTECTION
3	101814686	1	SCREW
4	107318054	1	VALVE BLOCK/FROST PROTECTION REP. KIT
5	3400447	1	BALL (1501320)
6	3001492	1	O-RING
7	3001500	1	O-RING
8	6101021	1	SEAT
9	6528600	1	PLUG COMPLETT
10	107312017	1	TUBE COMPL.
11	1601079	2	SCREWED CONNECTION
12	3000064	2	O-RING
13	1801075	3	TIGHTENING GASKET
14	106402075	1	ERGO 3000 QUICK COUPLING F3/8in
15	107312037	1	NIPPLE 3/8X3/8
16	1600493	1	QUICK COUPLING NIPPLE
17	56519	1	O-RING
18	301000905	1	PISTON
19	18067	1	SPRING
20	3000064	1	O-RING
21	107312033	1	PLUG FOR VALVE HOUSING FROST
22	107316045	1	HEATING ELEMENT 1000W 230V
23	6180913	4	HOLE PLUG WITH O-RING
24	107318056	4	PLUG 3/8 W. O-RING
27	107316049	1	THERMOSTAT MOUNT 350MM
28	5206054	1	HOSE
29	1810084	2	CLAMP
30	107312014	1	ADJUSTMENT SCREW
31	102602525	1	SPRING 8.0X20.0 X1.1 DIN2098
32	3803764	6	RUBBER SEAL TET 5-7C
33	103821789	3	NUT M12X1.5 PA
34	103821788	3	CABLE BUSHING
35	1800861	4	SCREW
36	6181669	1	COVER
37	101406054	1	SPONGE RUBBER
38	103821844	1	CONTROL TRANSFORMER 230V 24/19
39	103821915	1	MINI RELAY
40	103821916	1	BASE
41	103821729	1	FUSE
42	4812281	1	FUSE HOLDER
43	3817483	2	TERMINAL STRIP
44	103821920	9	WIRE TERMINAL

# Frost protection - ANTI FROST

Pro. acces. - special equipment

13-05-2012

Part List ID  
FROSTIAN1102

27

Pos	Part no.	Qty	Description
45	103821921	1	END PLATE
46	3807773	1	THERMOSTAT
47	107312031	2	SPACER
48	103822070	1	VALVE 1/2 INCH
49	107312032	1	BUSHING FOR FROST PROTECTION
50	107318055	1	BA VALVE/FROST PROTECTION REP. KIT Replace of 3/4" BA valve (before 2006)
51	6100941	1	WATER FILTER
52	107312035	1	FILTER HOUSING
53	103821774	1	SOLENOID VALVE 1/2 INCH
54	107316047	1	COIL 24VAC 4.5 WATT
55	103821984	1	PLUG F. SOLENOID VALVE
56	101609365	1	BARREL NIPPLE 1/2X1/2 MS
57	20680	1	ANGLE

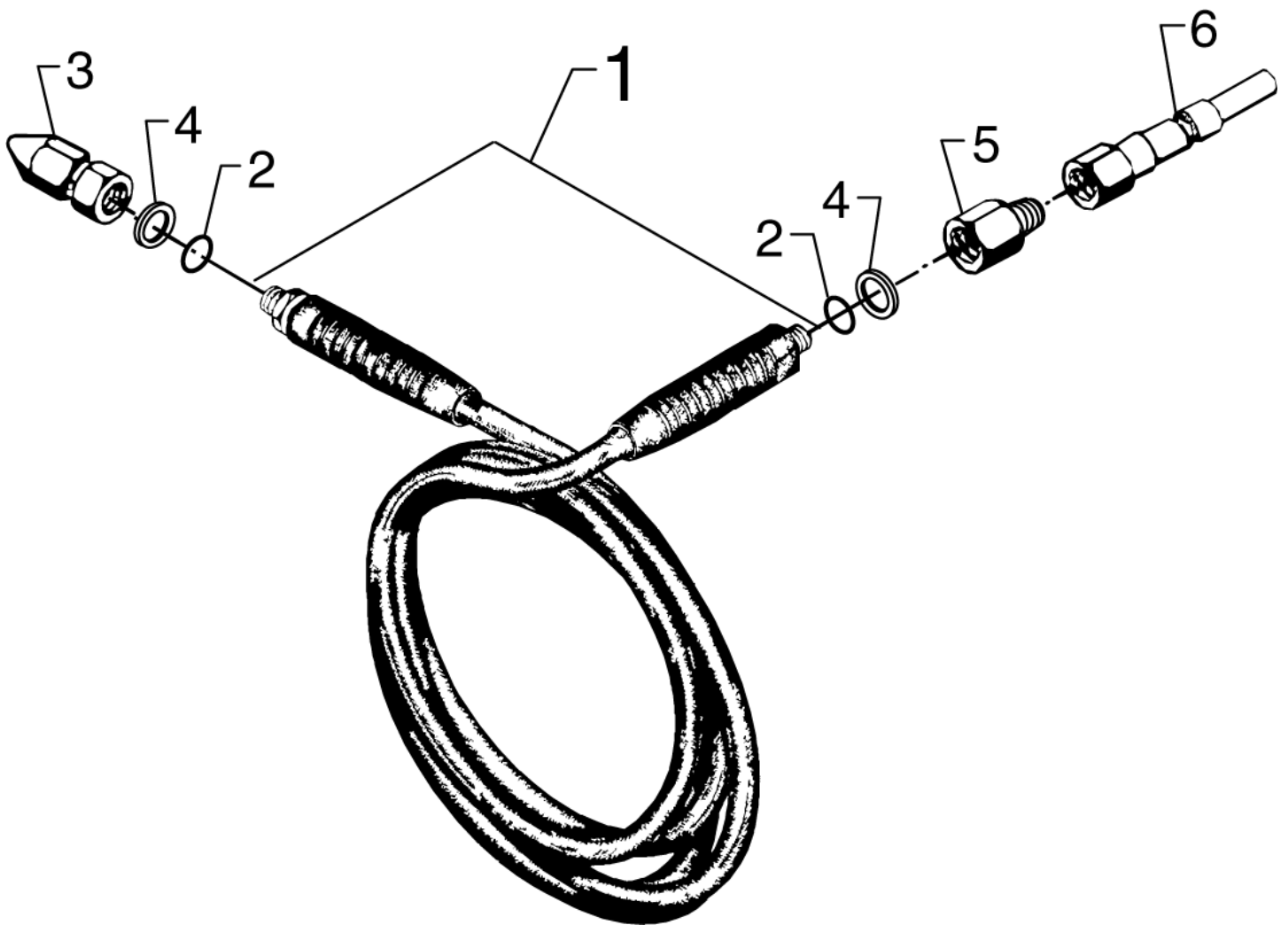
# Drain cleaner

Pro. acces. - special equipment

13-05-2012

Part List ID  
DRAINCLEAN02

28



# Drain cleaner

Pro. acces. - special equipment

13-05-2012

Part List ID  
DRAINCLEAN02

29

Pos	Part no.	Qty	Description	
-	6401265	1	DRAIN CLEANER 05 10M	NOZZLE 05, 10M
-	6401266	1	DRAIN CLEANER 05 20M HOSE	NOZZLE 05, 20M
-	6401267	1	DRAIN CLEANER 06 10M HOSE	NOZZLE 06, 10M
-	6401268	1	Drain cleaner 06. 20m hos e	NOZZLE 06, 20M
1	1402072	1	HOSE 20 M. BLACK 3/8in HS	20M
1	6101766	1	10MTR 3/8TH BLACK HOSE	10M
2	3002003	2	O-RING	
3	2800084	1	DRAIN NOZZLE (0001050)	Nozzle 05
3	2800894	1	DRAIN NOZZLE	
4	1801075	3	TIGHTENING GASKET	
5	1609306	1	SOCKET 1/4in - 3/8in	
6	1609325	1	Nipple for spray lance RF	

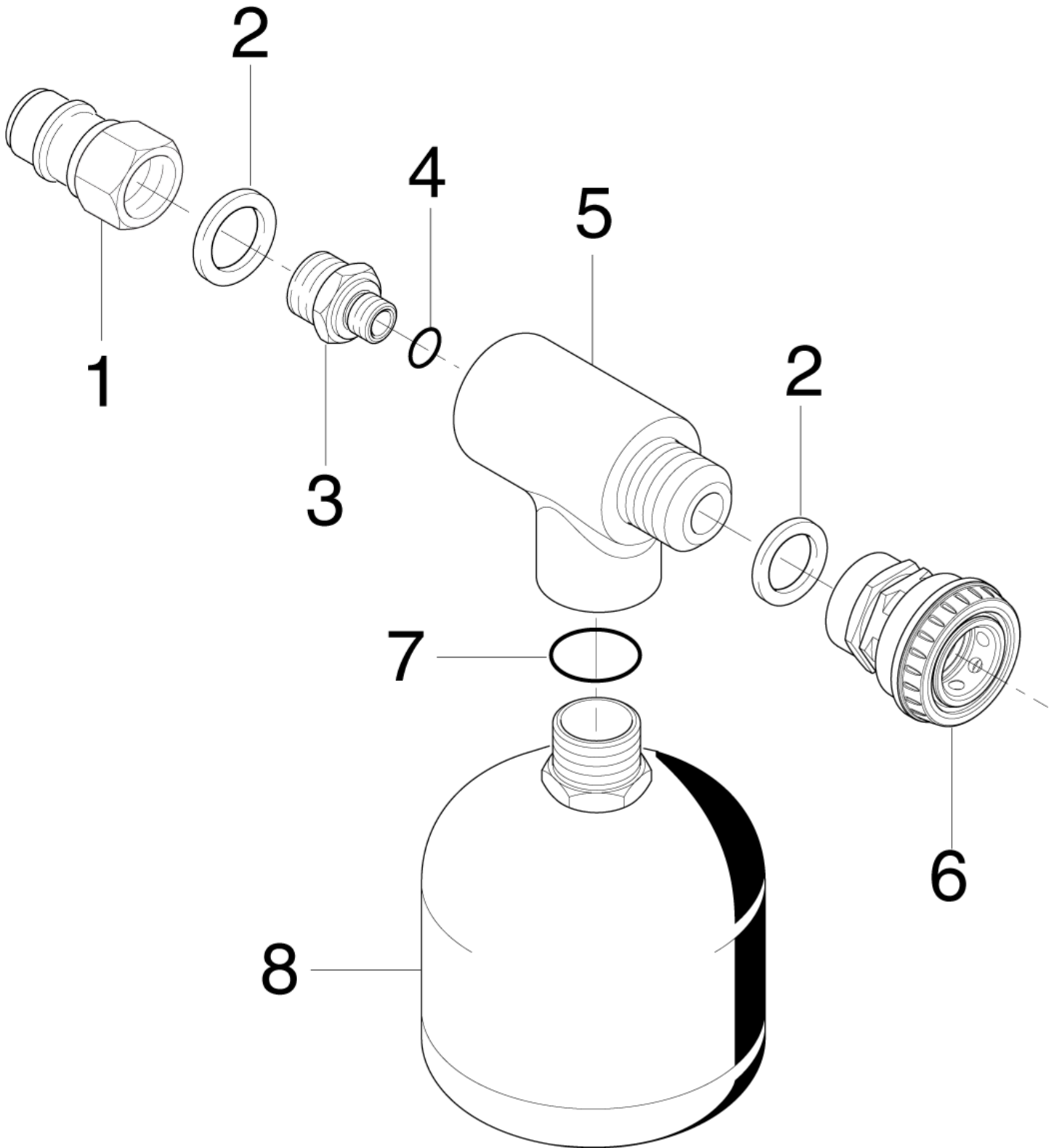
# Pressure compensator

Pro. acces. - special equipment

13-05-2012

Part List ID  
COMPENSATOR02

30



# Pressure compensator

Pro. acces. - special equipment

13-05-2012

Part List ID  
COMPENSA10R02

31

Pos	Part no.	Qty	Description
-	6400085	1	PRESSURE COMPENSATOR MONT ON
1	1600493	1	QUICK COUPLING NIPPLE
2	1801075	1	TIGHTENING GASKET
3	6150675	1	SOCKET
4	3001484	1	O-RING
5	106401970	1	HOUSING FOR VIBRATION DAMPER
6	106402075	1	ERGO 3000 QUICK COUPLING F3/8in
7	3003860	1	O-RING
8	63090	1	HYDRAULIC DAMPER

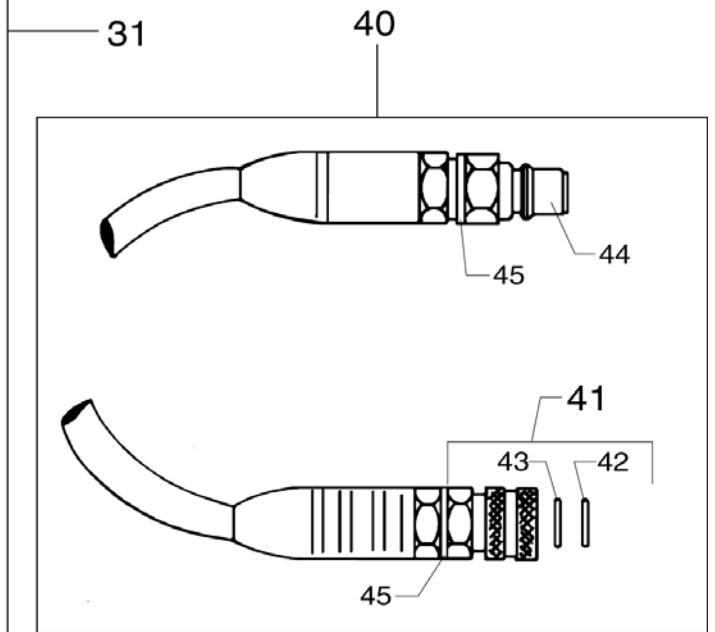
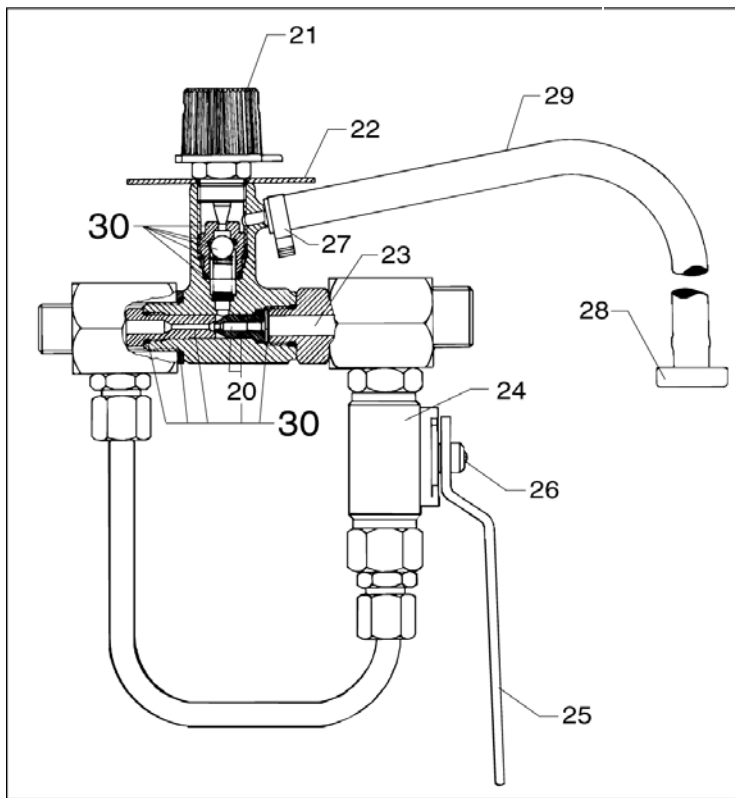
# Chemical trolley, injector & hose

Pro. acces. - special equipment

13-05-2012

Part List ID  
CHEMTROLLEY04

32



# Chemical trolley, injector & hose

Pro. acces. - special equipment

13-05-2012

Part List ID  
CHEM I ROLLEY04

33

Pos	Part no.	Qty	Description
20	1119815	1	REP KIT NOZZLE W O-RING
21	6101778	1	SPINDLE. COMP.
22	6400363	1	DIAL PLATE
23	6150675	1	SOCKET
24	3401916	1	HYDRO-BALL 1/4IR-1/4UK
25	6300411	1	HANDLE. BLACK F. TAP
26	1119324	1	REPAIR KIT
27	1810084	1	CLAMP
28	6400240	1	CHEMICAL FILTER
29	5206636	1	PVC HOSE 1/4in
30	1119107	1	REP KIT F. FOAMINJECTOR
31	6403454	2	FOAM INJECTOR BY-PASS
40	1403054	1	INLET HOSE COMPL.
41	106402075	1	ERGO 3000 QUICK COUPLING F3/8in
42	3000049	1	O-RING
43	3000031	2	O-RING
44	1603101	1	QUICK COUPLING NIPPLE 03K R
45	1801075	2	TIGHTENING GASKET

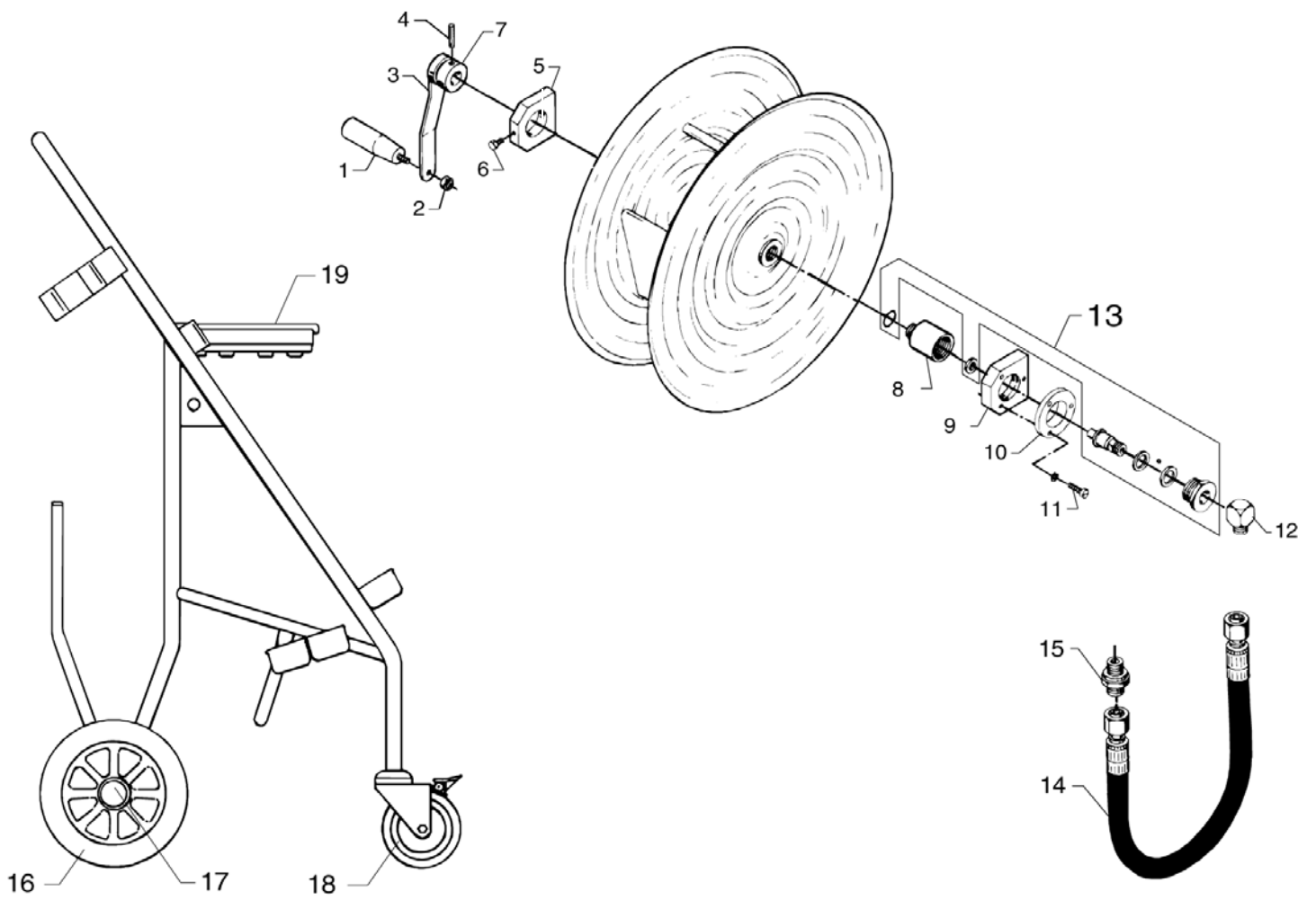
# Chemical trolley

Pro. acces. - special equipment

13-05-2012

Part List ID  
CHEMTROLLEY02

34



# Chemical trolley

Pro. acces. - special equipment

13-05-2012

Part List ID  
CHEM TROLLEY02

35

Pos	Part no.	Qty	Description
-	6401094	1	CLEANING TROLLEY 2x5L, 1x25L
-	6401095	1	CLEANING TROLLEY 2x25L
1	4000402	1	HANDLE FOR HOSE REEL
2	1801905	1	NUT
3	6401336	1	HANDLE SS
4	1804715	1	PIN D6 X 30 SS
5	6400773	1	CASING BEARING SS
6	6400774	1	SCREW HEX CAP M5X18 A2
7	6400802	1	BEARING BUSH 27 MM
8	6400778	1	FITTING
9	6401763	1	BEARING HOUSING SS
10	6400799	1	BRAKE
11	1804301	3	SCREW M5*16
12	6400804	1	WATER INLET SS
13	1119585	1	REP KIT
14	6403456	1	HOSE
15	1605102	1	STRAIGHT SCREWED CONNECTION
16	2010932	2	NON BLACKING WHEEL
17	6102614	2	HUB CAP COMP SS
18	2013142	2	STEERABLE WHEEL
19	6401479	1	PLASTIC TRAY

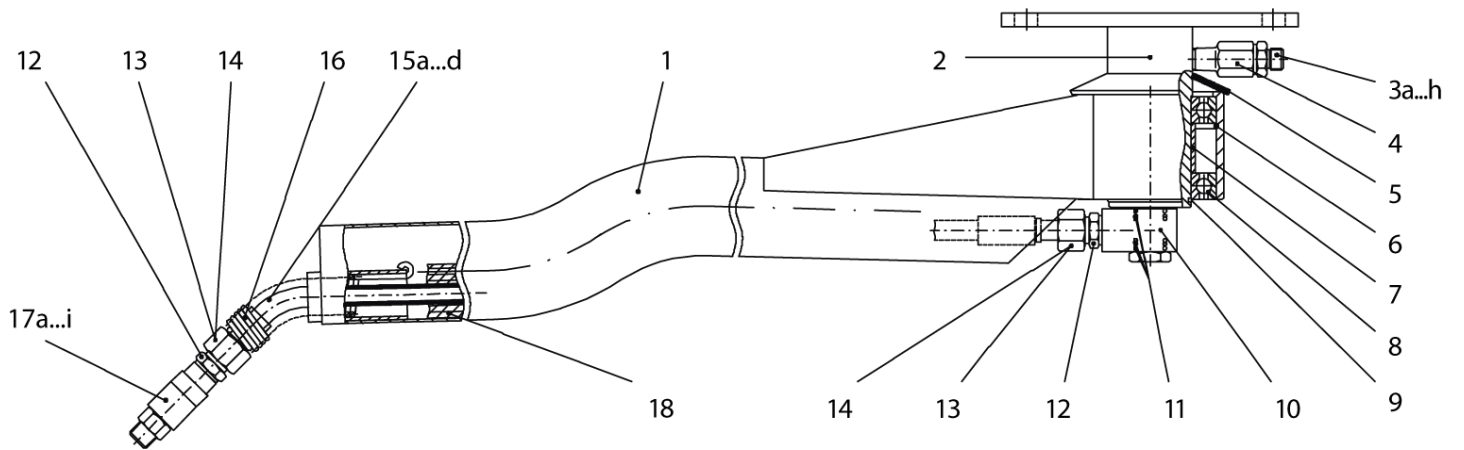
# Ceilingboom Z

Pro. acces. - special equipment

13-05-2012

Part List ID  
CBOOMZ

36



# Ceilingboom Z

Pro. acces. - special equipment

13-05-2012

Part List ID  
CBOOMZ

37

Pos	Part no.	Qty	Description
0	37871	1	GYROSCOPE-1750.STAINLESS STEEL
4	12772	1	SPEZIALNIPPEL ZU DECKENKR
8	12295	1	BALL BEARING
9	37840	1	SAFETY CLIP FOR AXLE
10	12764	1	BANJO UNION ASSY WAS 1217 6
11	37939	1	GASKET SET
13	1081	1	CAP NUT
14	1080	1	OLIVE (TAPER RING)
16	37570	1	SPRING WAS 12666
15b	62204	1	HP HOSE DN 8X1670
17f	37748	1	SWIVEL FITTING

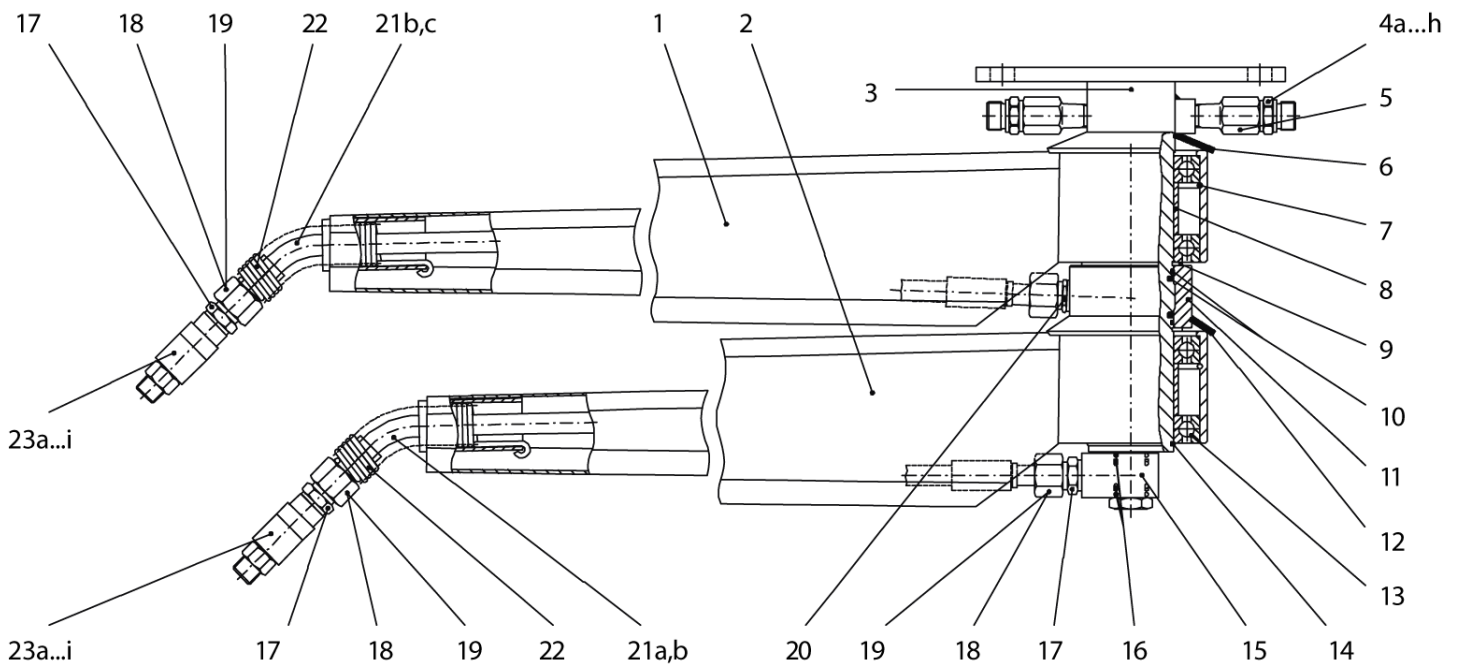
# Ceilingboom W

Pro. acces. - special equipment

13-05-2012

Part List ID  
CBOOMW

38



# Ceilingboom W

Pro. acces. - special equipment

13-05-2012

Part List ID  
CBOOMW

39

Pos	Part no.	Qty	Description
0	309000209	1	SWIVEL ARM CEILING DUAL 1600/1750MM SS
5	12772	1	SPEZIALNIPPEL ZU DECKENKR
8	37569	1	SLEEVE Ø 50X55X30 CUZN
9	37576	1	7840
13	12295	1	BALL BEARING
14	37840	1	SAFETY CLIP FOR AXLE
15	12764	1	BANJO UNION ASSY WAS 1217 6
16	37939	1	GASKET SET
17	37939	1	GASKET SET
18	1081	1	CAP NUT
19	1080	1	OLIVE (TAPER RING)
22	37570	1	SPRING WAS 12666
21b	37777	1	HP HOSE FOR ARM L. 1600MM
21c	31000452	1	HP HOSE FOR ARM L. 1750MM

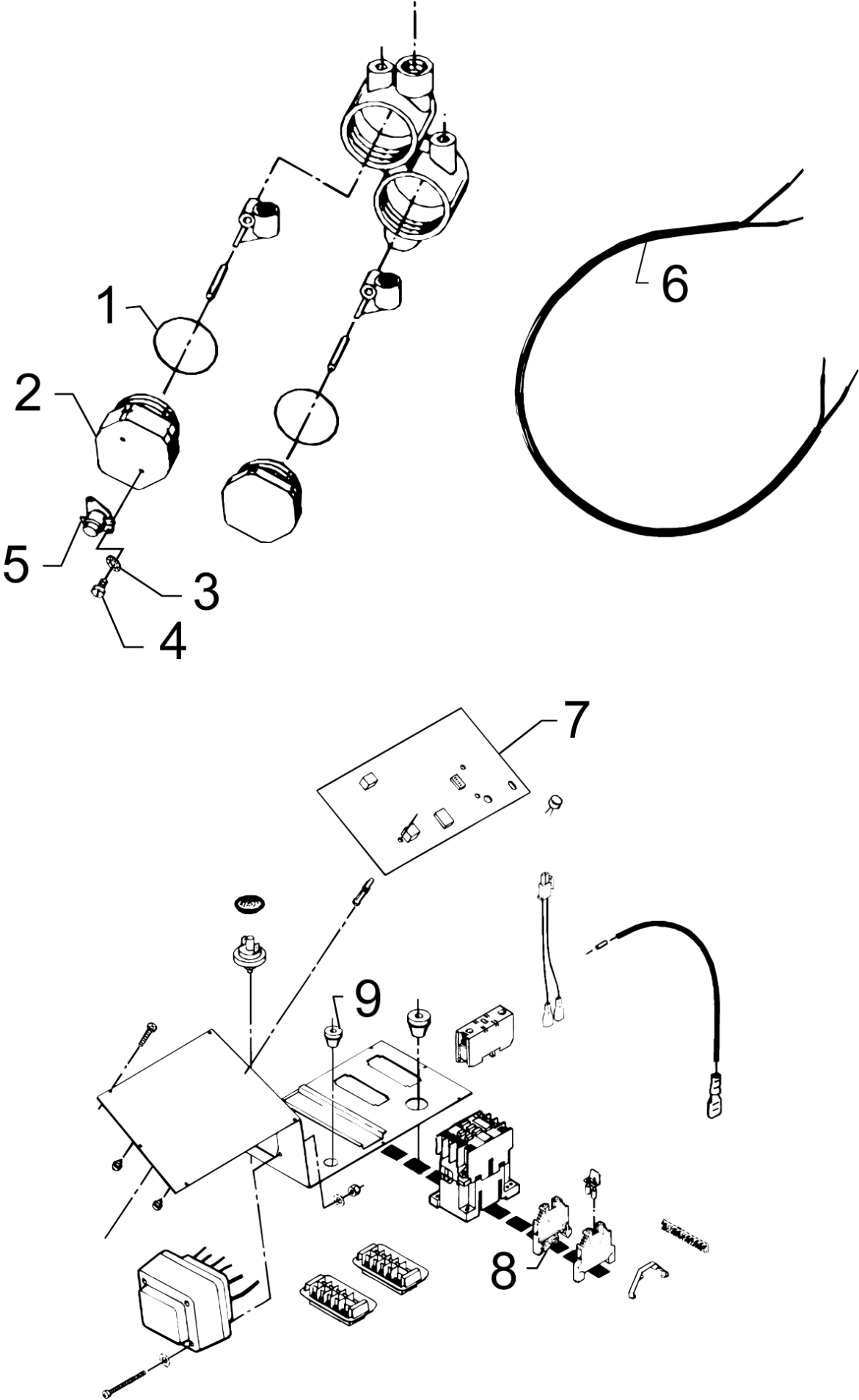
# Burner override mode 40HA

13-05-2012

Part List ID  
BOMODE40HA02

Pro. acces. - special equipment

40



# Burner override mode 40HA

Pro. acces. - special equipment

13-05-2012

Part List ID  
BOMODE40HA02

41

Pos	Part no.	Qty	Description
1	3001716	2	O-RING
2	6184801	1	PLUG
3	1809953	2	WASHER M3
4	1803139	2	SCREW
5	3821228	1	THEMOSTAT 60C
7	6420034	1	EL.CONTROL CIRCUIT BOARD
8	3807518	1	TERMINAL STRIP
9	3803764	1	RUBBER SEAL TET 5-7C

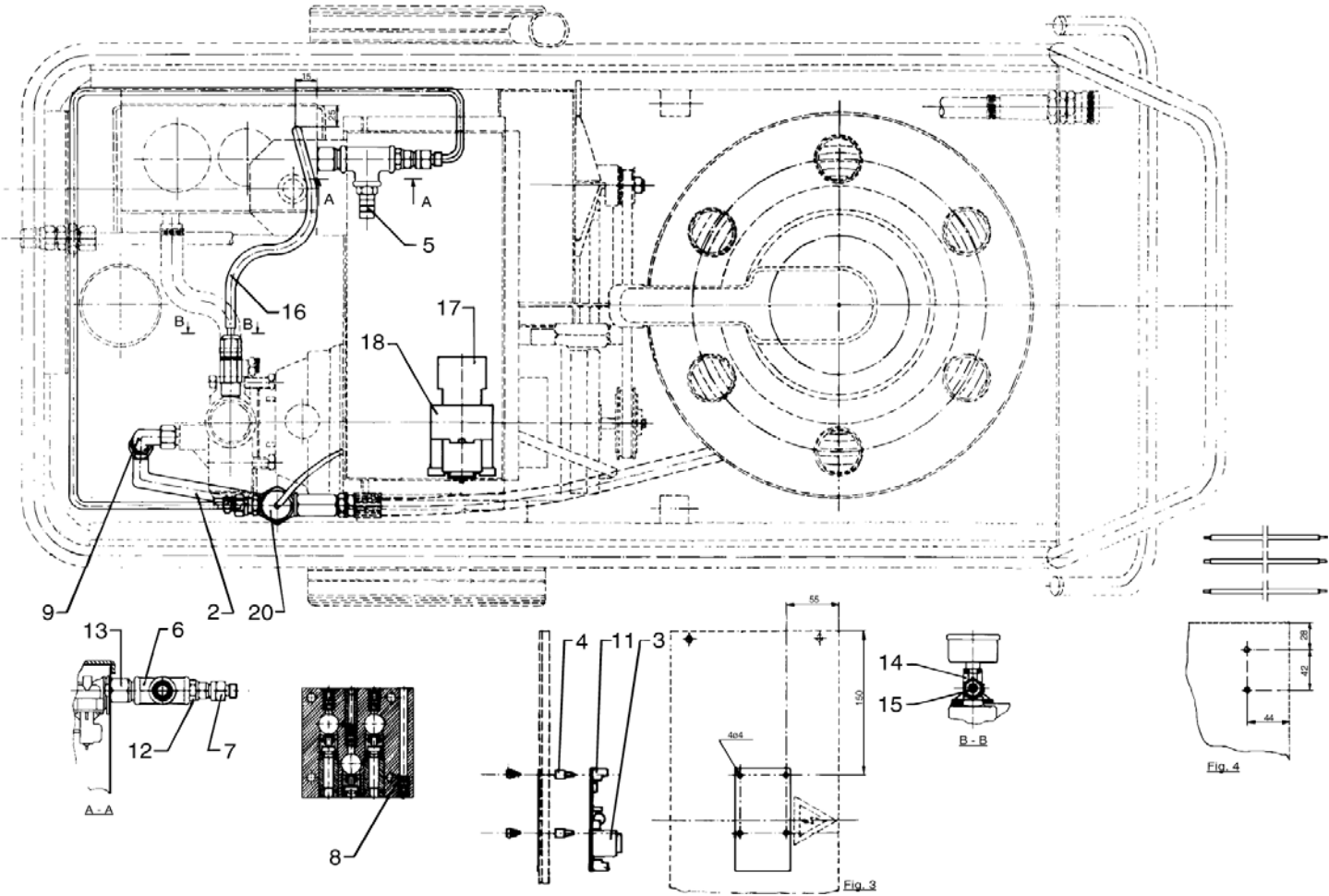
# Automatic start/stop A2V

Pro. acces. - special equipment

13-05-2012

Part List ID  
AUTOSSA2V02

42



# Automatic start/stop A2V

Pro. acces. - special equipment

13-05-2012

Part List ID  
AU10SSA2V02

43

Pos	Part no.	Qty	Description	
-		1	NOTE COMMENT	Automatic start/stop
2	6400398	1	PRESSURE PIPE	
3	6400125	1	CIRCUIT BOARD	
4	4600771	4	RICHCO CIRCUIT BOARD	
5	6300262	1	HOSE TAIL	
7	6350451	1	NON RETURN VALVE KSA LEFT	
8	6200568	1	VALVE SEAT COMPL.	
8	6402307	1	VALVE SEAT NON RETURN VAL VE	
9	1604487	1	ELBOW HIGH PRESSURE F. \ 12	
10	3805421	1	PLUG	
12	1601624	1	BUSHING 1/2X1/4 (1001450)	
13	6402318	1	SCREWED CONNECT.F.FLOAT V ALVE	
15	6221552	1	VENTING VALVE.COMPOSITE	
16	5206636	1	PVC HOSE 1/4in	
18	103822304	1	CONTACTOR CJX2-D	From 01.01.00
18	3804010	1	CONTACTOR COMP CA3-16-10	Until 31.12.99

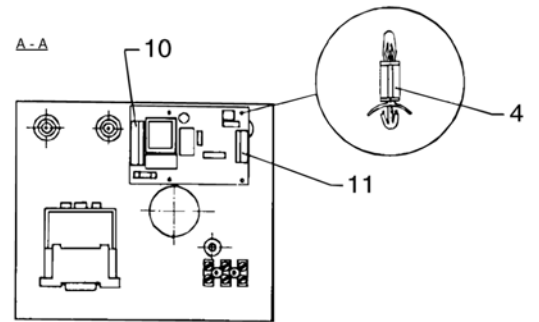
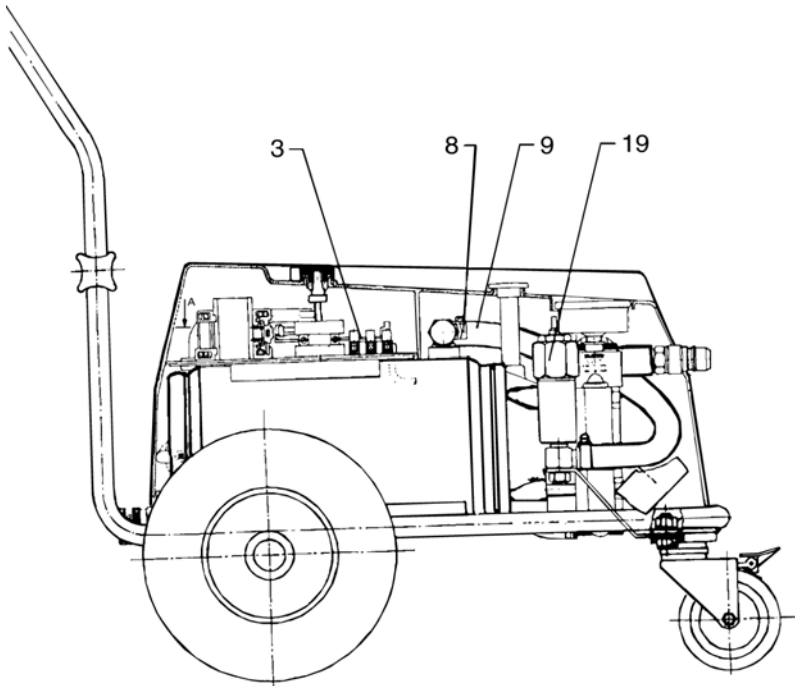
# Automatic start/stop A2K

Pro. acces. - special equipment

13-05-2012

Part List ID  
AUTOSSA2K02

44



# Automatic start/stop A2K

Pro. acces. - special equipment

13-05-2012

Part List ID  
AU10SSA2K02

45

Pos	Part no.	Qty	Description
-		1	NOTE COMMENT Automatic s/s A2K
3	6400125	1	CIRCUIT BOARD
5	3803764	1	RUBBER SEAL TET 5-7C
6	3803772	1	RUBBER SEAL TET 7-10C
7	3803780	1	RUBBER SEAL TE 10-14C
8	1805100	1	HOSE CLIP
9	5206065	1	Air pressure hose 1/2in
10	3805421	1	PLUG
19	6402305	1	FLOW CONTROL
22	6350454	1	PISTON
23	3000825	1	O-RING
24	6221773	1	FLOW CONTROL

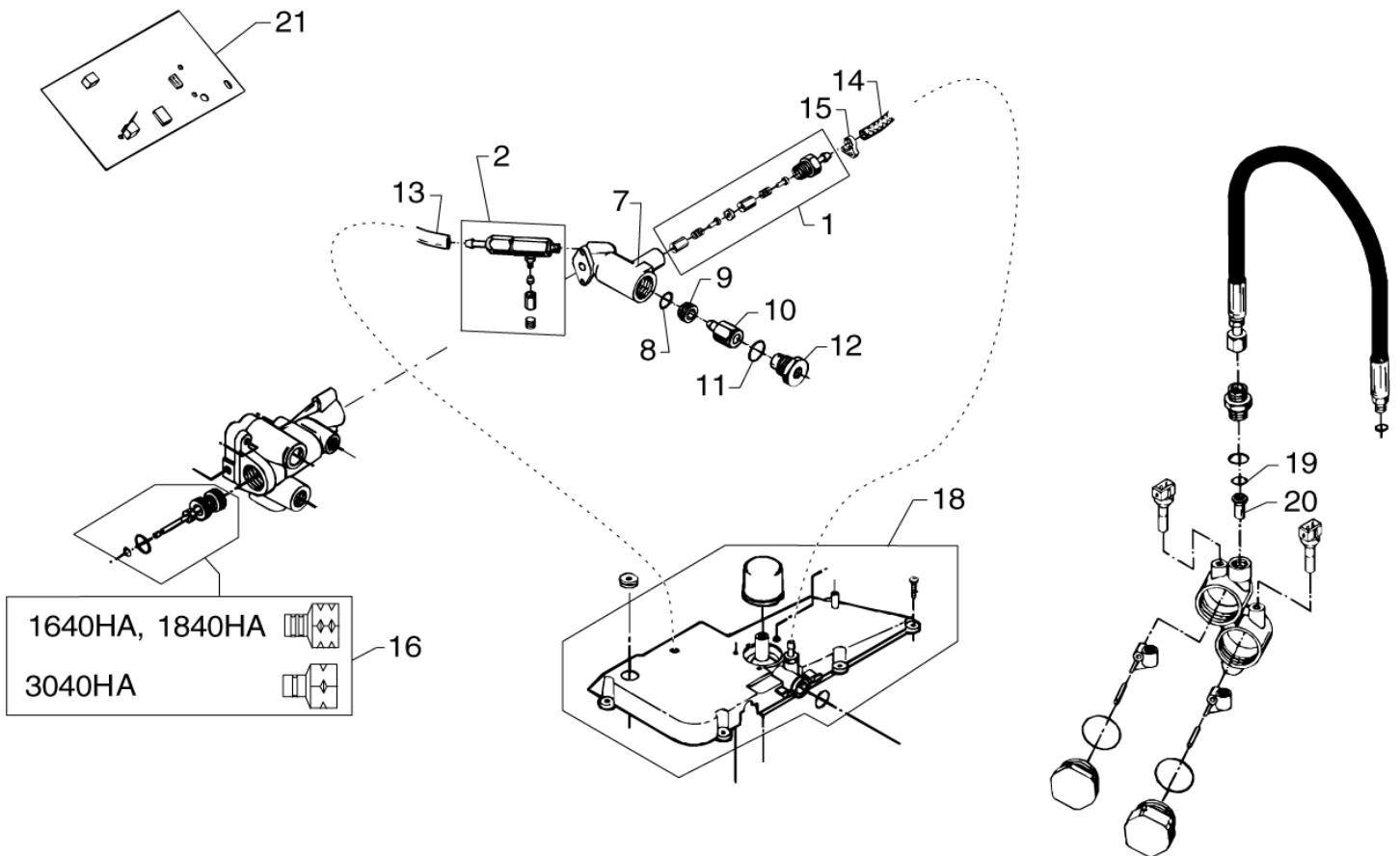
# Automatic start/stop 40H

Pro. acces. - special equipment

13-05-2012

Part List ID  
AUTOSS40H02

46



# Automatic start/stop 40H

Pro. acces. - special equipment

13-05-2012

Part List ID  
AUIOSS40H02

47

Pos	Part no.	Qty	Description
-	6401114	1	AUTO STOP START KIT 40H
1	1119318	1	REP KIT NRV
2	1119288	1	REP KIT VENTING VALVE
7	6401819	1	HOUSING FOR AUTO START/ST OP
8	3001112	1	O-RING
9	6201534	1	SEAT
10	6350463	1	PISTON (6350453)
11	3000825	1	O-RING
12	6401817	1	CONNECTION UNION START/ST OP
13	5206636	1	PVC HOSE 1/4in
14	5206054	1	HOSE
16	1119247	1	REP KIT VALVE KA 08-, 16-, 1840HA
16	1119248	1	REP KIT FOR VALVE 3.0 KA 3040HA
18	1119249	1	REP KIT
19	3001799	1	O-RING
20	6401821	1	NOZZLE FOR STOP/START KIT
21	6420033	1	ELECTRONIC CONTROL CIRCUIT BRD

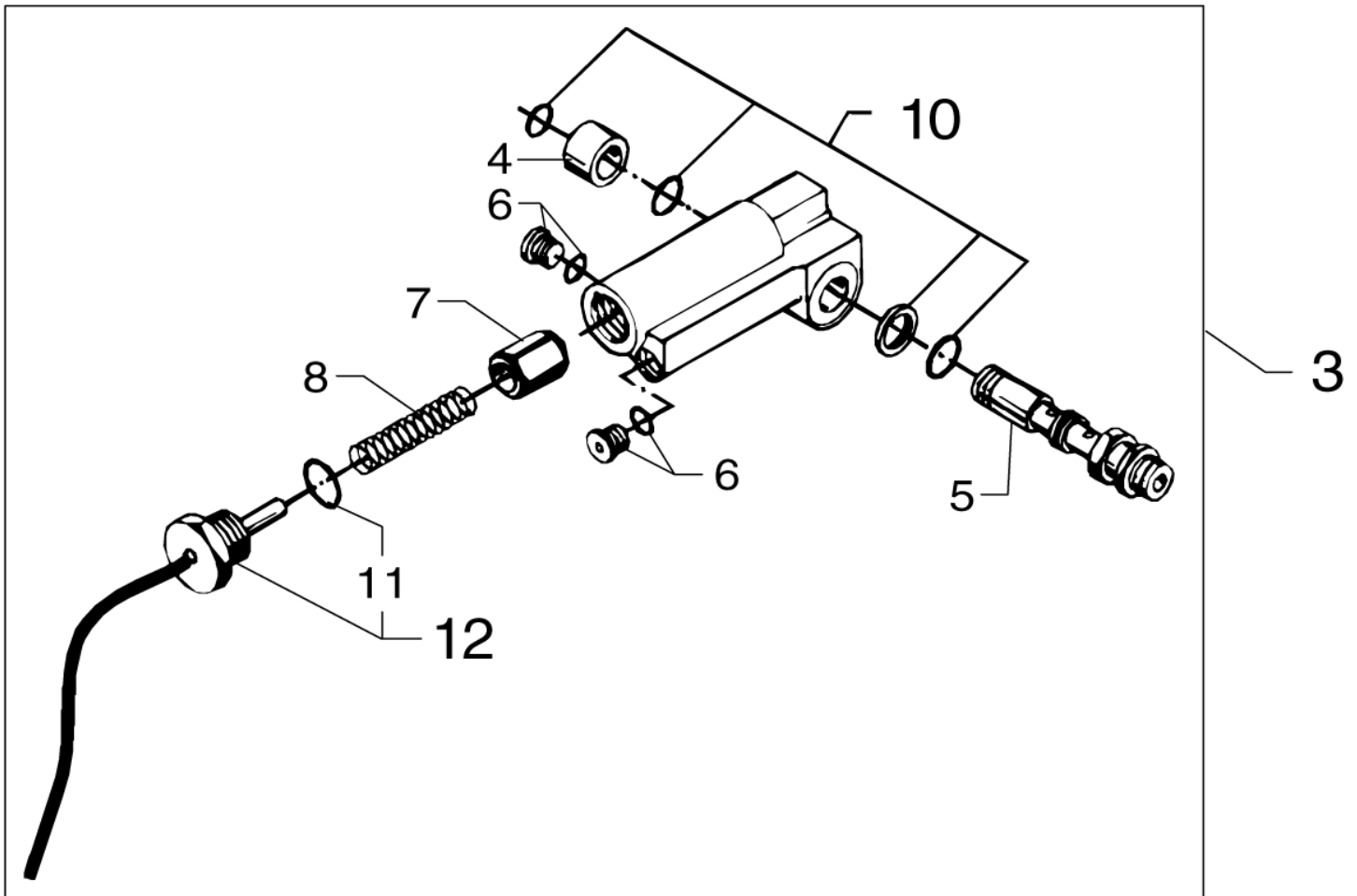
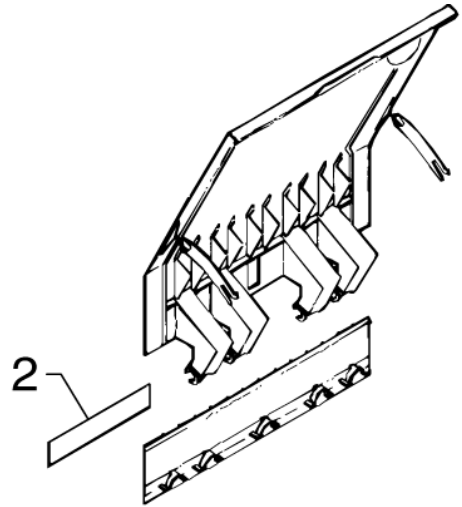
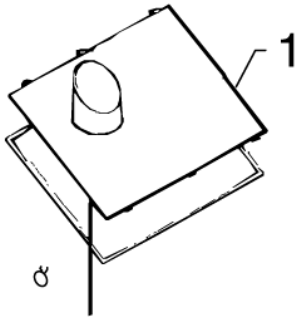
# Automatic s/s 40C, labels & flow switch

13-05-2012

Part List ID  
AUTOSS40C04

Pro. acces. - special equipment

48



# Automatic s/s 40C, labels & flow switch

Pro. acces. - special equipment

13-05-2012

Part List ID  
AU10SS40C04

49

Pos	Part no.	Qty	Description	
1	6180957	1	INSTRUMENT PANEL M.LABEL 1740C	1740CA
1	6180958	1	CONTROL PANEL REF. 63+65	2040CA
1	6180960	4	CONTROL PANEL FOR 4040CA	3340CA
3	6180414	2	FLOW SWITCH	
4	6181473	1	DISTANCE SPACER	
5	6181474	1	BUSH	
6	6180913	1	HOLE PLUG WITH O-RING	
7	6350454	1	PISTON	
8	2602373	1	SPRING	
10	6180414	1	FLOW SWITCH	
11	3000825	1	O-RING	
12	1119817	1	REED SWITCH COMPL.	

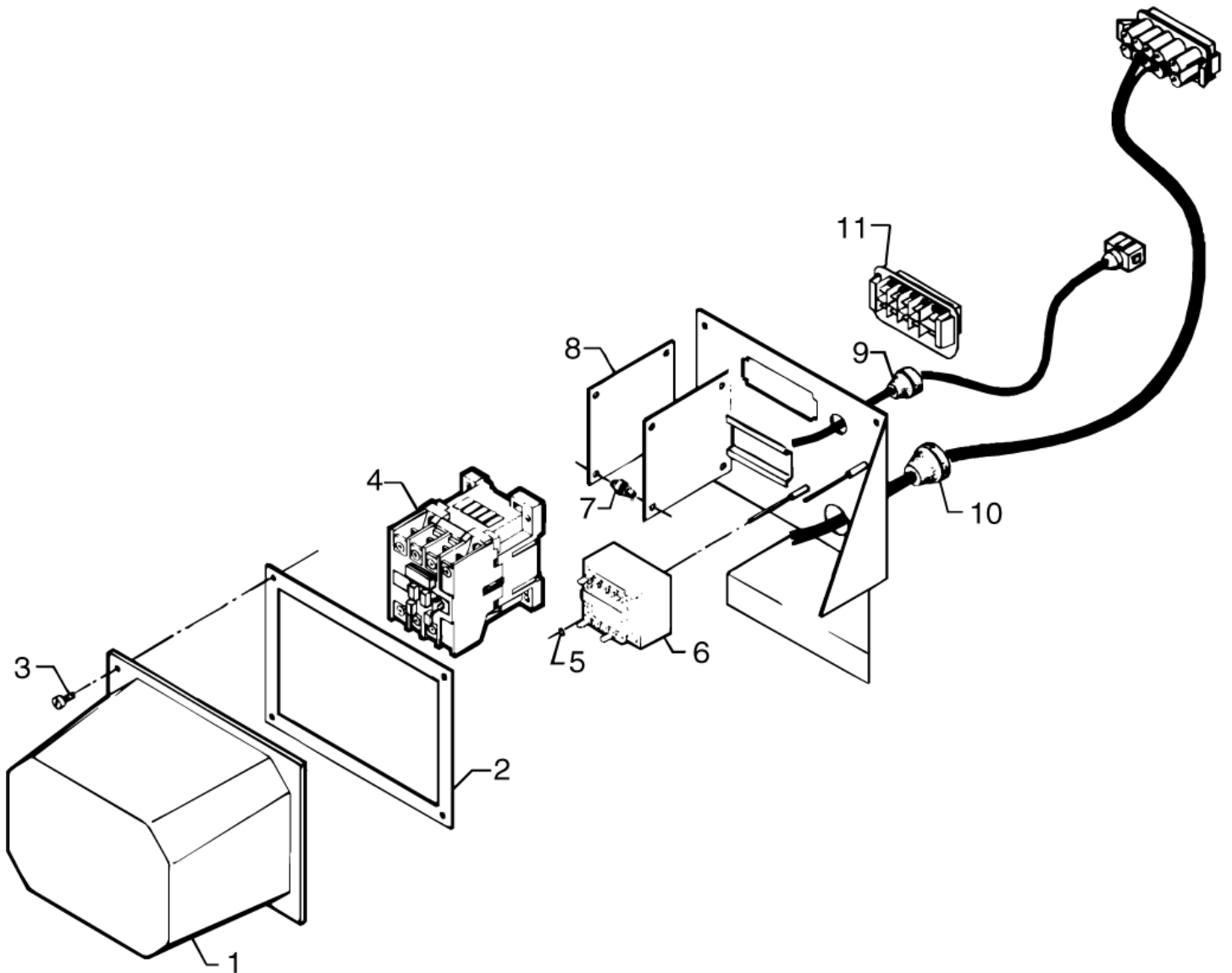
# Automatic s/s 40C, el-box

Pro. acces. - special equipment

13-05-2012

Part List ID  
AUTOSS40C02

50



# Automatic s/s 40C, el-box

Pro. acces. - special equipment

13-05-2012

Part List ID  
AU10SS40C02

51

Pos	Part no.	Qty	Description	
-	1119614	1	KIT, CONNECTION BOX 3X380/50 S	3x4380, 50Hz Y
1	6222747	1	BOX FOR ELPARTS	
2	6222749	1	GASKET FOR EL BOX	
3	1803956	4	TAPTITE M 4 X 12	
4	103822313	1	CONTACTOR 12-25A	From 01.01.00
4	103822317	1	CONTACTOR CJX2-D	Until 31.12.99
4	3804051	1	CONTACTOR COMP CA3-16-10	
5	1805563	2	LOCK WASHER	
6	3819760	1	SAFETY TRANSFORMER 24V	3x220V 60Hz, 1x220V 60Hz
6	3819778	1	SAFETY TRANSFORMER 24V	3x230V 60Hz, 1x240V 50Hz
6	3819786	1	SAFETY TRANSFORMER 24V	3x380V
6	3819794	1	SAFETY TRANSFORMER 24V	3x415-440V
8	6420012	1	AUTOMATISK START/STOP	
9	3803764	1	RUBBER SEAL TET 5-7C	
10	3803780	1	RUBBER SEAL TE 10-14C	
10	3803798	1	RUBBER SEAL TET 14-20C	(110/115V)
11	3820206	1	DELTA CONNECTION	
11	3820214	1	STAR CONNECTION	

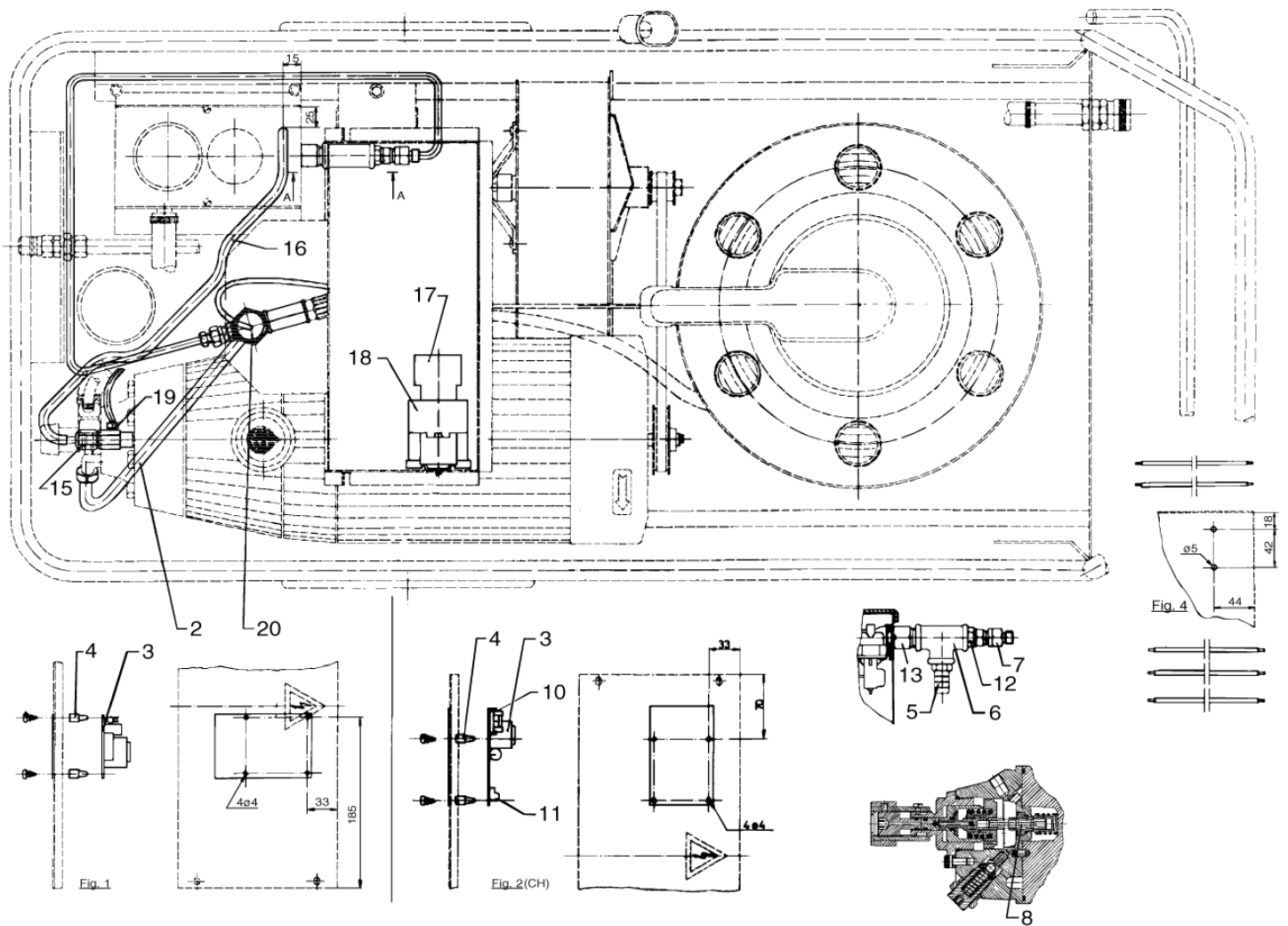
# Automatic start/stop 03V

Pro. acces. - special equipment

13-05-2012

Part List ID  
AUTOSS03V02

52



# Automatic start/stop 03V

Pro. acces. - special equipment

13-05-2012

Part List ID  
AU10SS03V02

53

Pos	Part no.	Qty	Description	
2	6401300	1	THRUST PIPE	
3	6400125	1	CIRCUIT BOARD	
4	4600771	4	RICHCO CIRCUIT BOARD	
5	6300262	1	HOSE TAIL	
7	6350451	1	NON RETURN VALVE KSA LEFT	
8	6400143	1	VALVE CONE	
10	3805421	1	PLUG	
12	1601624	1	BUSHING 1/2X1/4 (1001450)	
13	6402318	1	SCREWED CONNECT.F.FLOAT V ALVE	
15	6221552	1	VENTING VALVE.COMPLETE	
16	5206636	1	PVC HOSE 1/4in	* SEE NOTE
18	103822304	1	CONTACTOR CJX2-D	FROM 01.01.00
18	3804010	1	CONTACTOR COMP CA3-16-10	UP TO 31.12.99

\* NOTE: PLEASE INDICATE LENGTHS IN METRES WHEN ORDERING

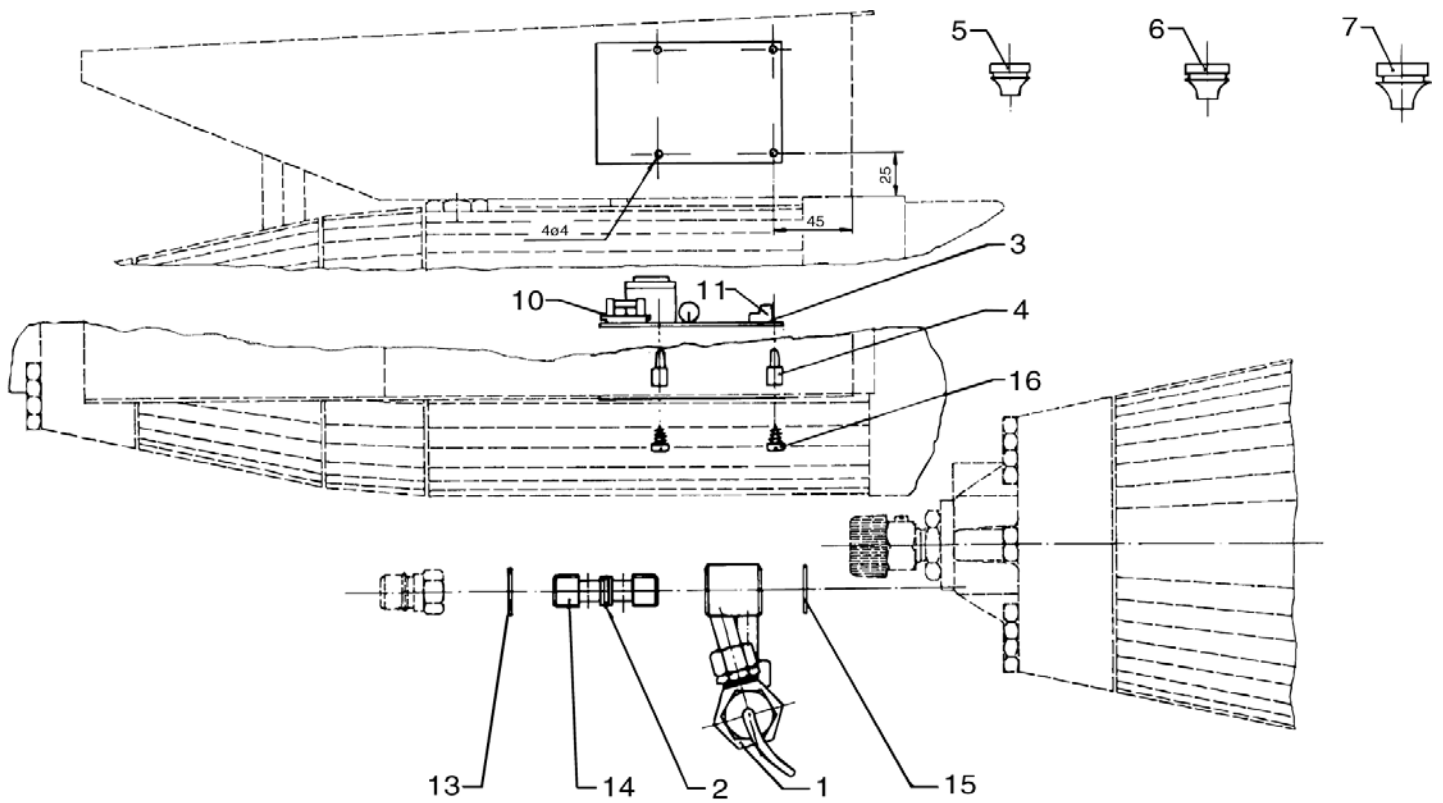
# Automatic start/stop 03K

Pro. acces. - special equipment

13-05-2012

Part List ID  
AUTOSS03K02

54



# Automatic start/stop 03K

Pro. acces. - special equipment

13-05-2012

Part List ID  
AU I OSS03K02

55

Pos	Part no.	Qty	Description
-	6409016	1	MOUNTING INSTRUCTIONS
-		1	NOTE COMMENT Automatic s/s 03K
2	3001682	1	O-RING use 16912
3	6400125	1	CIRCUIT BOARD
4	4600771	4	RICHCO CIRCUIT BOARD
5	3803764	1	RUBBER SEAL TET 5-7C
6	3803772	1	RUBBER SEAL TET 7-10C
7	3803780	1	RUBBER SEAL TE 10-14C
10	3805421	1	PLUG
13	1801075	1	TIGHTENING GASKET
14	6400712	1	SUPPORTING PIPE F. BANJOP IPE
15	3000064	1	O-RING
16	1801497	4	SHEET METAL SCREW
19		1	NOTE COMMENT Until 02.02.93
27	6401692	1	SCREWED CONNECTION
28	6350454	1	PISTON
29	3000825	1	O-RING
30	6221773	1	FLOW CONTROL From 03.02.93
31	6403461	1	FLOW SWITCH
32	6180913	2	HOLE PLUG WITH O-RING
33	6350454	1	PISTON
34	3000825	1	O-RING
35	6221773	1	FLOW CONTROL

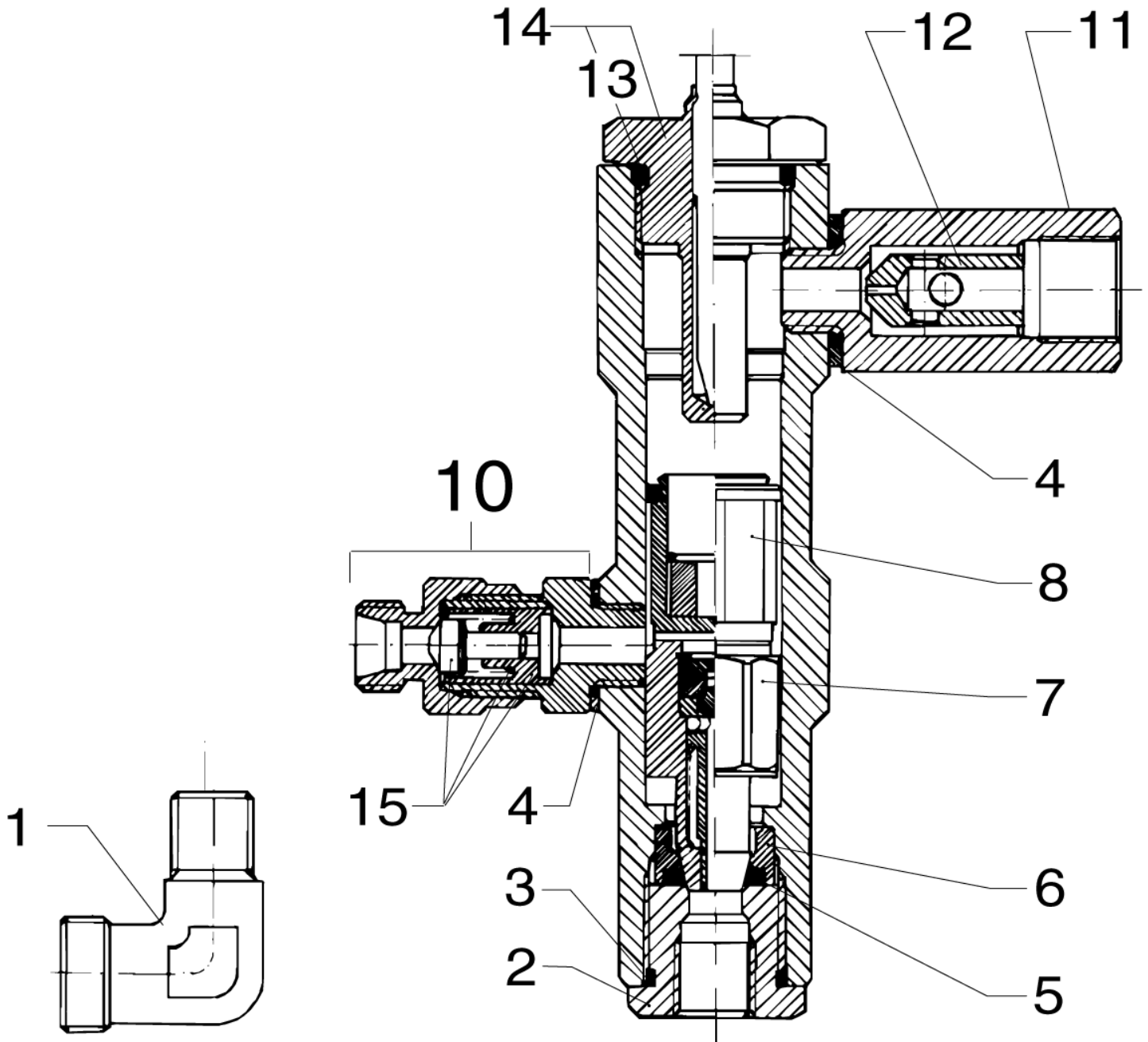
# Auto. start/stop, Flow switch A2V, 02V, 03V

Pro. acces. - special equipment

13-05-2012

Part List ID  
AUTOSS0203

56



# Auto. start/stop, Flow switch A2V, 02V, 03V

Pro. acces. - special equipment

13-05-2012

Part List ID  
AU10SS0203

57

Pos	Part no.	Qty	Description
-		1	NOTE COMMENT Flow switch, complet
1	1603119	1	ELBOW
2	6300438	1	UNION NUT (6300254)
3	3000262	1	O-RING (1103730)
4	1803493	1	TIGHTENING WASHER
5	3001112	1	O-RING
6	6350625	1	BUSHING F. O-RING
7	6350463	1	PISTON (6350453)
8	6350454	1	PISTON
10	6350452	1	NON RETURN VALVE.RIGHT.KS A
11	6220530	1	HOUSING
12	6101038	1	PISTON
13	3000825	1	O-RING
14	6221773	1	FLOW CONTROL
15	1119566	1	REP KIT NON RETURN VALVE

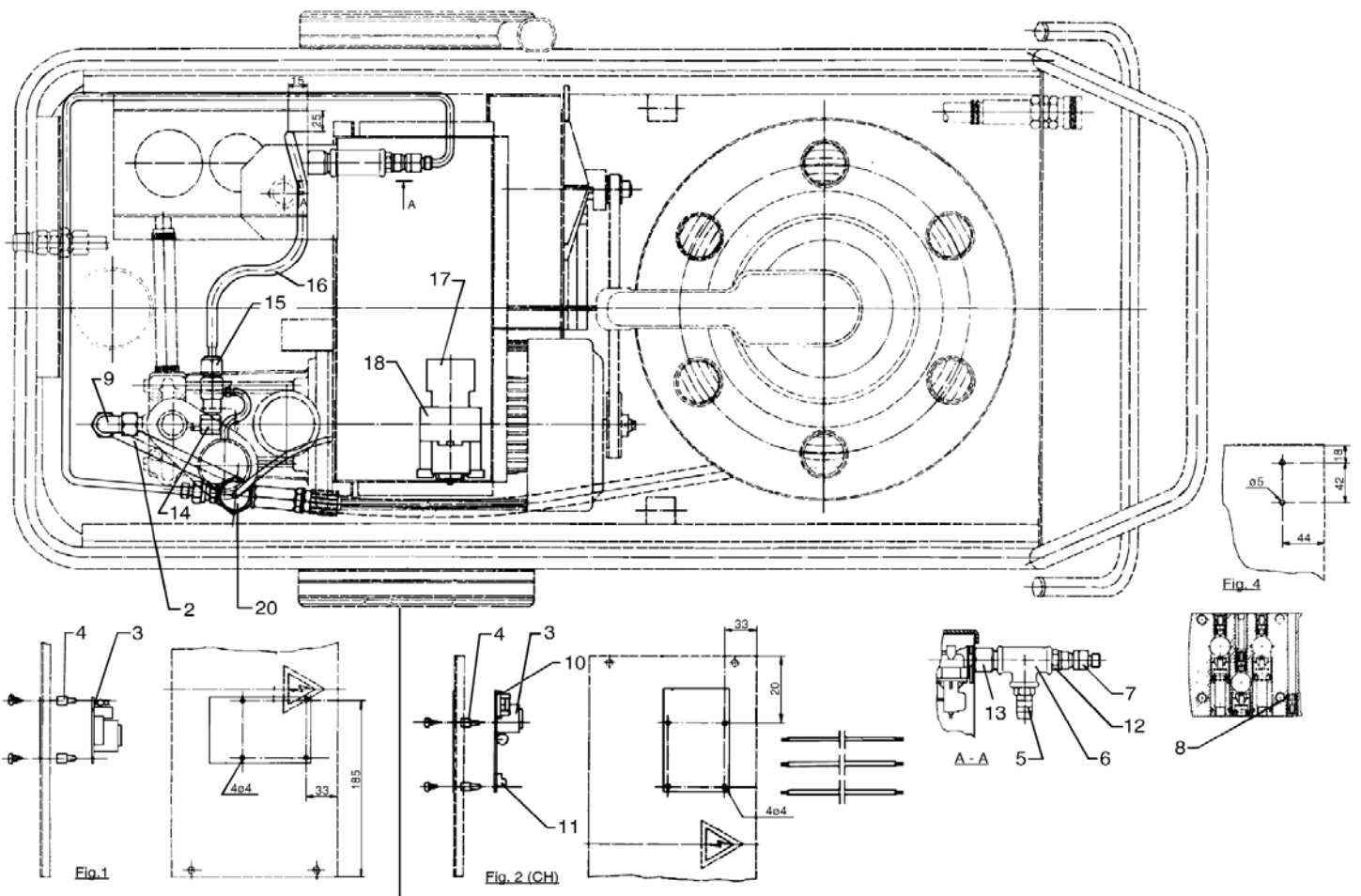
# Automatic start/stop 02V

Pro. acces. - special equipment

13-05-2012

Part List ID  
AUTOSS0202

58



# Automatic start/stop 02V

Pro. acces. - special equipment

13-05-2012

Part List ID  
AU10SS0202

59

Pos	Part no.	Qty	Description	
-		1	USE LINK	Automatic s/s 02V
2	6400398	1	PRESSURE PIPE	
3	6400125	1	CIRCUIT BOARD	
4	4600771	4	RICHCO CIRCUIT BOARD	
5	6300262	1	HOSE TAIL	
7	6350451	1	NON RETURN VALVE KSA LEFT	
8	6200568	1	VALVE SEAT COMPL.	
8	6402307	1	VALVE SEAT NON RETURN VAL VE	
9	1604487	1	ELBOW HIGH PRESSURE F. \ 12	
10	3805421	1	PLUG	
12	1601624	1	BUSHING 1/2X1/4 (1001450)	
13	6402318	1	SCREWED CONNECT.F.FLOAT V ALVE	
14	6201667	1	SCREWED CON VENTING VA/WF	
15	6221552	1	VENTING VALVE.COMPLETE	
16	5206636	1	PVC HOSE 1/4in	
18	103822304	1	CONTACTOR CJX2-D	FROM 01.01.00
18	3804010	1	CONTACTOR COMP CA3-16-10	UNTIL 31.12.99